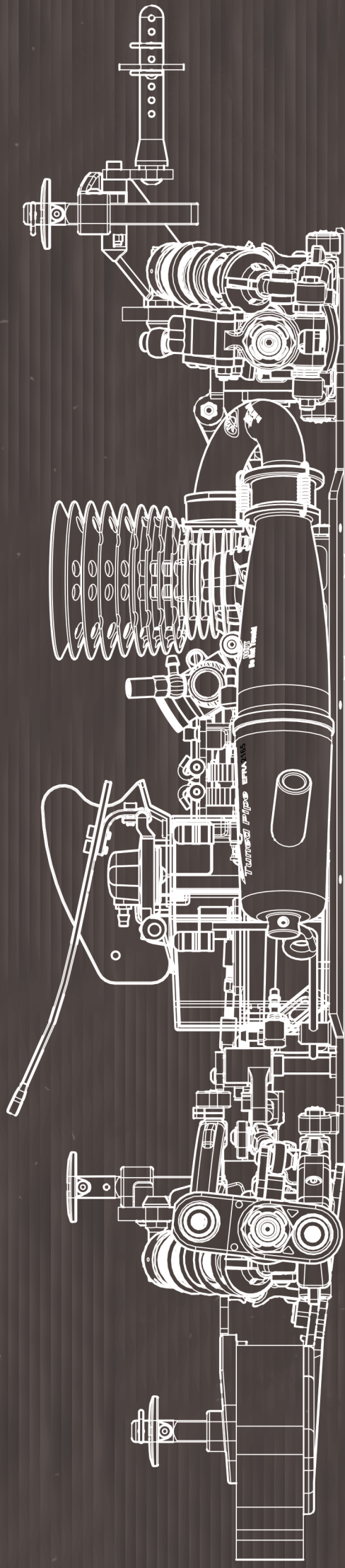


S35-GT22 FTE

Factory Team Edition

1/8 Scale 4WD Nitro Power On-Road GT Car



SWORKZ S35-GT22 FTE INSTRUCTION MANUAL

S35-GT2.2 FTE *Factory Team Edition* **1/8 Scale 4WD Nitro Power On-Road GT Car**

INTRODUCTION

The project of GT2.2 Factory Team Edition(FTE) is a special product for SWORKz GT worlds drivers to compete in the 2023 Australia IFMAR GT World Championships. The target is to be faster, lighter and easier driving performance.

The Car is designed with high quality aluminum bulk heads that can change diff positions. A Direct response steering servo savor with a new Ackerman system.

The latest S35-GT2.2 FTE series Lay Down Shock Tower System has a new suspension geometry to lay-down the shock positions. This is especially designed for high speed on road racing. Specially included options are the S35-GT2 front upper and lower ultra hard material arms. Also included are the latest S35-4 rear lower ABS arms (ultra hard material) that improves the GT2.2 FTE's cornering speeds. A longer pipe holder spring that allows the pipe to sit closer to the body shell.

The 2-speed transmission has also been completely revised on the S35-GT2 platform that significantly improved compared to its predecessor.

The GT2.2 FTE comes standard with a new SWORKz Tornado GT 4-Shoes Clutch and Tornado GT 4-Shoes Aluminum Clutch Bell to get the maximum power from the engine to the transmission.

The S35-GT2 has a weight-optimized, hard anodized base chassis plate made of high-strength T7075 aluminum.

The HET differentials developed by SWORKz are also included with 13T pinion and 45T crowns in the kit.

The wishbone brackets, included with square inserts, allow the axle geometry of your SWORKz S35-GT2 to be adapted to any track layout. The front and rear CVD wishbones are made of a newly developed composite material. The side pans have also been redesigned.

The SWORKz S35-GT2.2 FTE has completely new rear knuckles made from composite materials combined with carbon plates that offers you the possibility for different setups.

There are many other changes and new ideas that were incorporated into the SWORKz S35-GT2.2 FTE that makes this car a real winner.

When designing the vehicle, the SWORKz development team focused on using materials that meet the highest quality standards. The S35-GT2.2 FTE kit is 100% SWORKz quality.

Congratulations on purchasing the new SWORKz S35-GT2.2 FTE Pro kit and thank you for your trust in SWORKz.

Please read these assembly instructions carefully before you start building and operating your SWORKz S35-GT2.2 FTE. These assembly instructions contain step-by-step instructions with which you can finish, prepare and optimize your car for racing. Updates, setups and new products are published on digital SWORKz media.

As always, if you have any questions about your SWORKz products or you need help, please contact our official SWORKz dealers and distributors.

S35-GT2.2 FTE Kit Features:

- New Weight-optimized, Hard anodized T7075 base chassis plate
- New Front & Rear Shock Pro-composite Carbon Shock Towers
- New Aluminum Shock End Extension Holders
- Shock End Extension Holders with Pin-Screws
- New Front and Rear Adjustable Diff Position Design
- New Aluminum Front & Rear Diff Case Design
- New Aluminum Diff. Case Inserts
- New Aluminum Lower Arm Plates
- New Aluminum Front Upper Arm Holder
- New Front & Rear Aluminum Chassis Brace
- New Aluminum Ackerman Steering Plate
- New Aluminum Servo Savor Steering System
- New Steering Ball Studs
- New Steering Knuckle Plates
- Comes standard with Ultra Hard Arms Front & Rear
- Comes standard with Ultra Hard Upper Arms Front
- Multi-adjustable Sway Bar Linkage System for Front & Rear
- Comes standard with HET Over Drive Gears (45T/13T)
- 2 Front Chassis Struts
- More balance weight positions
- Optimized composite T7075 aluminum parts
- Comes standard with Hard Material Center Spur Gears (58/62T)(Made in Italy)
- New Tornado GT 4-Shoes Clutch Kit
- New Tornado GT 4-Shoes Aluminum Clutch Bell



Specification	
Length:	500mm
Width:	308mm
Height:	145mm
Ground Clearance:	15mm
Wheelbase:	325-330mm
Track:	F:306mm / R:308mm
Gear Ratio:	C:58/62,19/24T, F/R 45/13T
Weight:	Kit weight 3088g (Full equipment with fuel, without Tires and Body Shell)

WARRANTY

Your SWORKz S35-GT2.2 FTE Pro kit warranty covers workmanship and manufacturing defects of the original and unmodified parts. Warranty claims resulting from crashes, abuse, improper operation, improper mounting, improper adjustment or lack of maintenance will not be honored.

Contact your local hobby shop or SWORKz distributor for all claims and questions. Claims must be well documented. All Claims are subject to expert examination approval by SWORKz.



Instruction	2
Warranty	3
Index	4
Required equipment for operation	5
Operation guide	6
Assembly steps	7-36
Blank set-up sheet	37-38
Race Report	39
S35-GT2.2 FTE Key No. List	40-41
S35-GT2.2 FTE Spare Part List	41-42
S35-GT2.2 FTE Option Part List	43
End cover	44

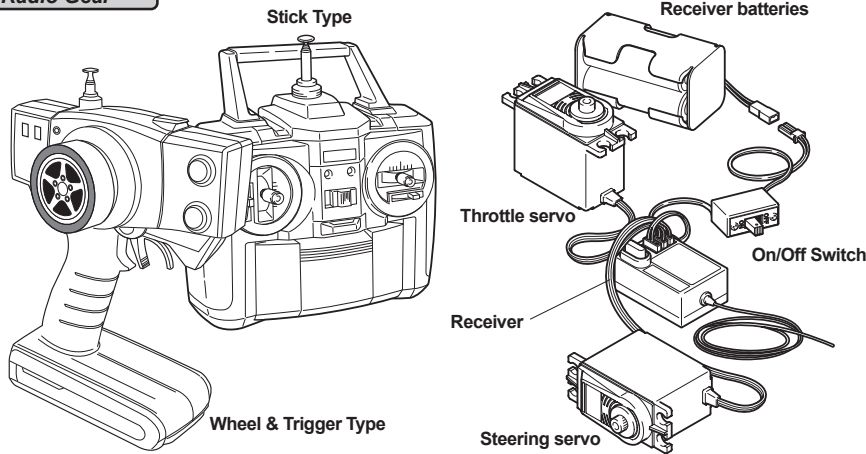


This radio controlled racing car is not a toy!

This high-performance R/C model is recommended for ages 14 and older.

Required Equipment for Operation

Radio Gear

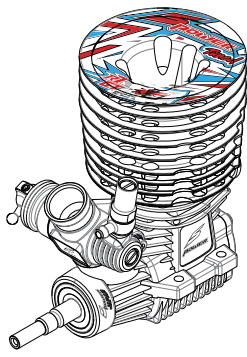


Nitro fuel

We recommend that you use on-road fuel containing 16~25% nitro.



Engine Recommended



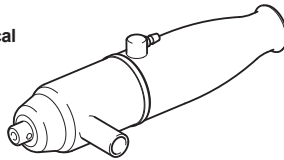
SP80212HP
Spower Japan R7GT
SOUL Factory
Hand-Made Modified
.21 Racing Engine
(Pre-Break-in)

SPower GT Conical
Exhaust Manifold
(Made in Italy)



SP80115C
Spower Japan MR I EFRA 2165
Tuned Pipe Combo Set with
Conical Exhaust Manifold

SP80116C
Spower Hipex EFRA 2115 Tuned
Pipe Combo Set with Conical
Exhaust Manifold (Made in Italy)



Engine Starting Equipment



Glow Plug

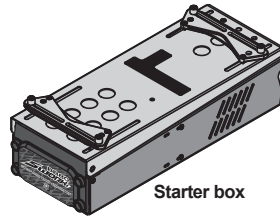


SP-80602

Spower ST-6 Turbo Plug
(Hot)(Made in Japan)

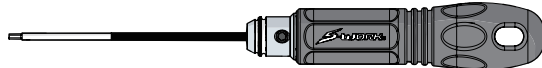
SP-80603

S-POWER ST-7 Turbo Plug
(Medium)(Made in Japan)

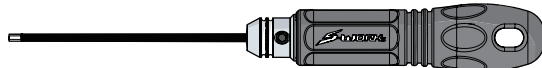


1/8 OFF ROAD STARTER BOX [BUGGY TYPE]

Tools Recommended



SW-620020-15 SWORKz SST-Pro 1.5mm HEX Wrench



SW-620020-20 SWORKz SST-Pro 2.0mm HEX Wrench



SW-620020-25 SWORKz SST-Pro 2.5mm HEX Wrench

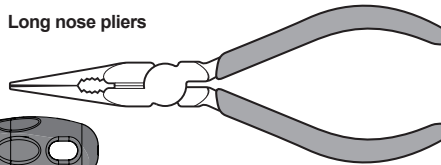


SW-620025 SWORKz SST-Pro Shorty 7.0mm Socket Driver

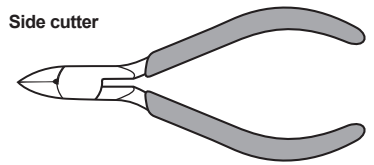


SW-620026 SWORKz SST-Pro Shorty 5.5mm Socket Driver

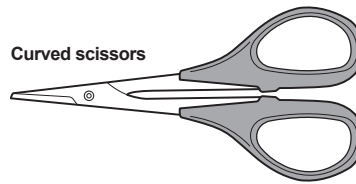
Long nose pliers



Side cutter



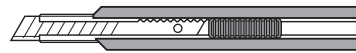
Curved scissors



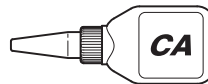
Paint



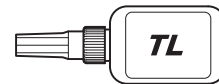
Modeling knife



Instant cement



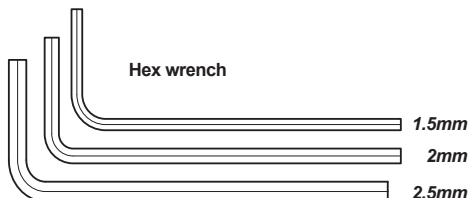
Thread lock



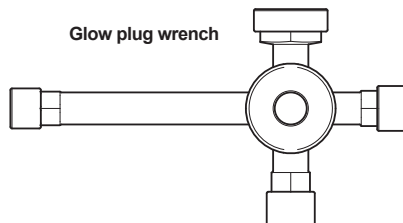
Double-sided tape



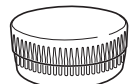
Included items



Glow plug wrench



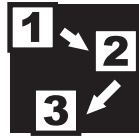
Grease



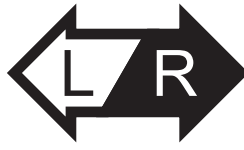
Operation Guide



Assemble front and rear



Assemble in the specified order



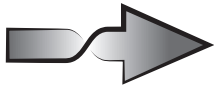
Assemble both left and right sides



Assemble for 2 sets



Assemble for 4 sets



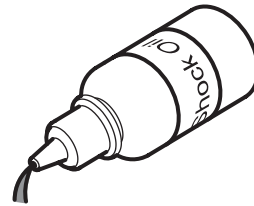
overturn



Thread Locking Compound



Grease



Pure Silicone Oil



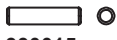


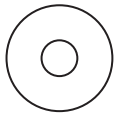

Air filter oil

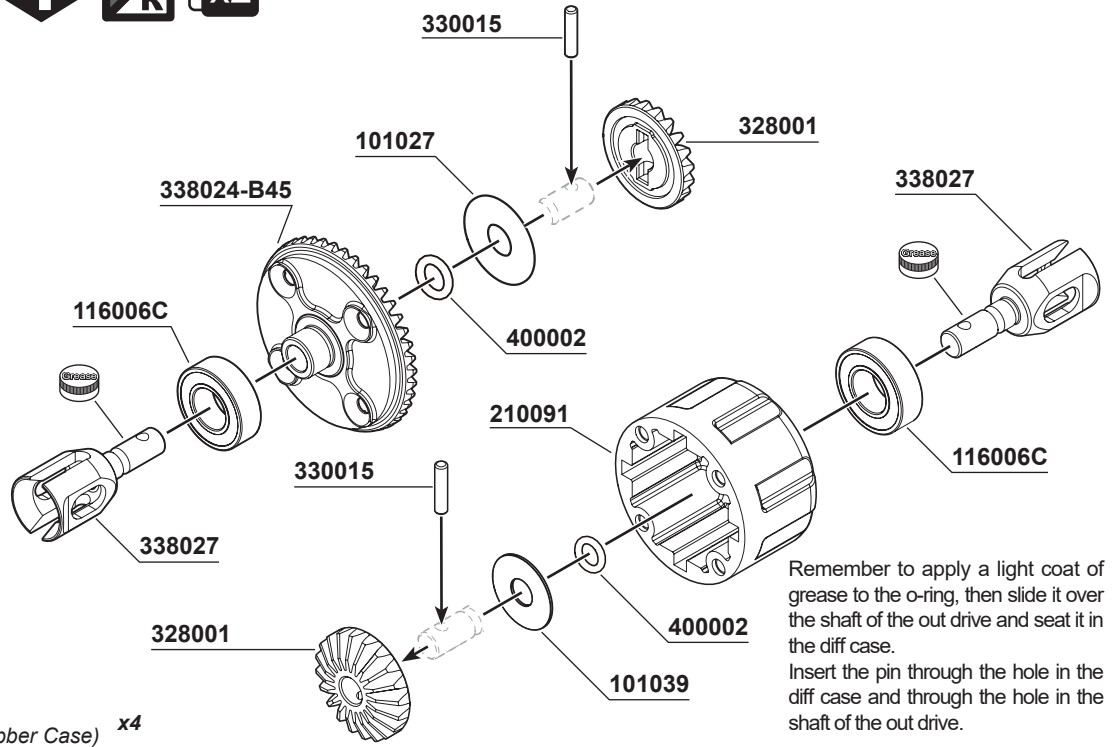
Safety Precautions

The SWORKz S35-GT2.2 FTE is a high performance radio control model which needs to be operated with caution and common sense.


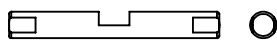

The S35-GT2.2 FTE Pro Kit is not intended for children under the age of 14 without adult supervision. SWORKz shall not be held liable for any loss or damages, whether direct, indirect, act of nature, arising from the abuse or misuse of this product or any other product required while operating this model.

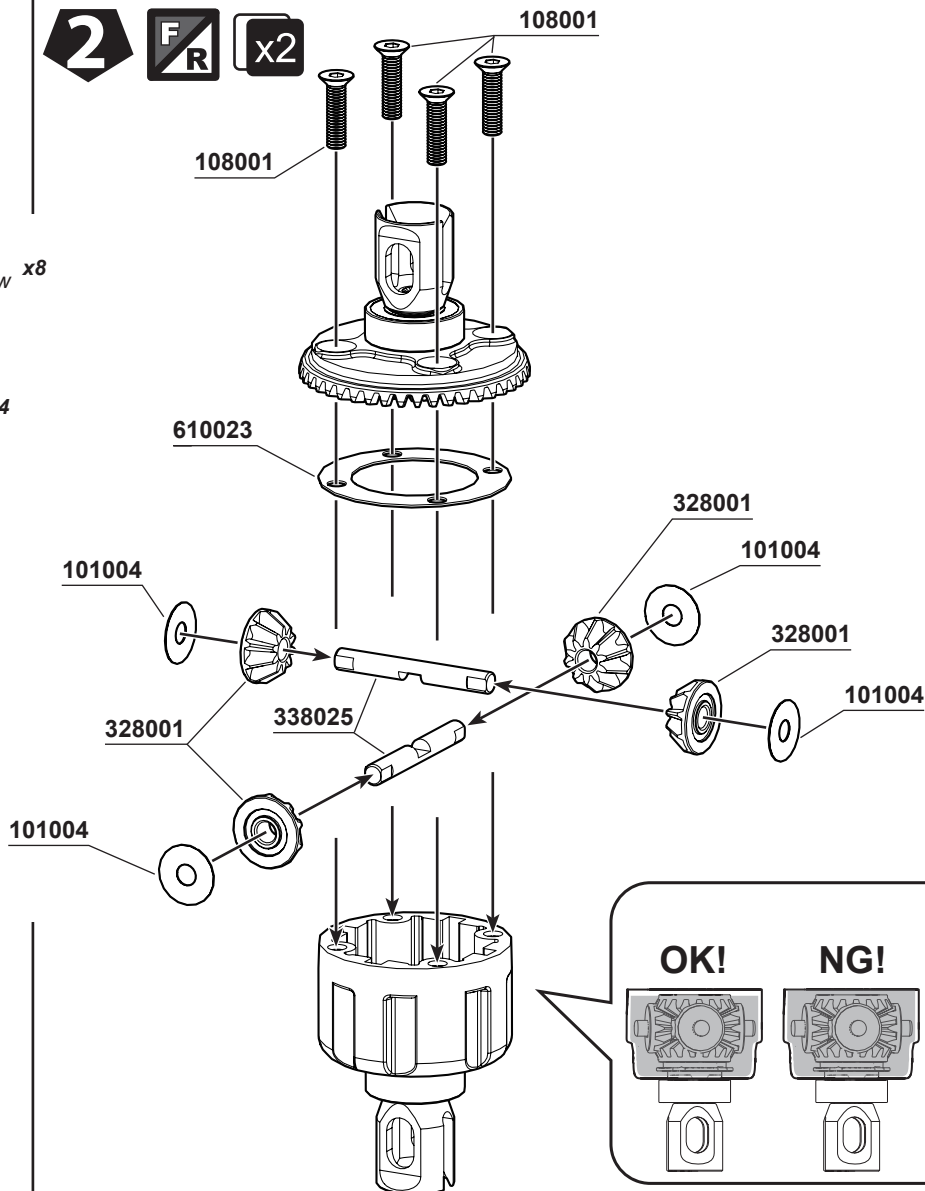
- The nitro fuel can be dangerous is improperly handled.
- Always keep your nitro fuel in a cool area and never use near flame, sparks, or while smoking.
- Keep your nitro fuel, and all other flammables, out of the reach of children.
- Always run your model in a well ventilated area outdoors. Never run your model indoors.
- After running your car, all parts of the engine and exhaust can become extremely hot. Be careful not to touch these parts especially when refueling, or making repairs.
- This model is controlled by your radio controller and is sometimes vulnerable to interference from many outside sources. This interference can cause a loss of control so it is necessary to operate this model in an open area to avoid personal, or property damage. Always ensure turning on your radio first.
- Keep all the parts included in the package out of reach of children.
- This model contains many fast rotating parts. Never touch them during operation.
- Follow the instructions included with your radio gear.
- Never operate your model near people or property. The speed of this model has the potential to injure and or damage people and or property.
- Always use original SWORKz spare parts and option parts.
- Always ensure that the buggy is in proper working condition before use.

-  **330015**
Pin M2.2x9.9mm **x4**
-  **400002**
O-ring S5 4.8X1.5 **x4**
-  **101039**
Washer 5x12x0.3 **x1**
-  **101027**
Washer 5x14x0.5 **x1**
-  **116006C**
Ball Bearing 8x16x5mm (Red Rubber Case) **x4**

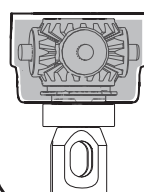


Remember to apply a light coat of grease to the o-ring, then slide it over the shaft of the out drive and seat it in the diff case.
Insert the pin through the hole in the diff case and through the hole in the shaft of the out drive.

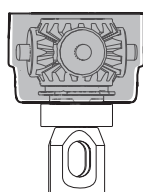
-  **108001**
M3x12mm FH/ST HEX Screw **x8**
-  **338025**
S35-3W Bevel Gear Shaft **x4**
-  **101004**
Washer 3.5X10X0.2mm **x8**



OK!



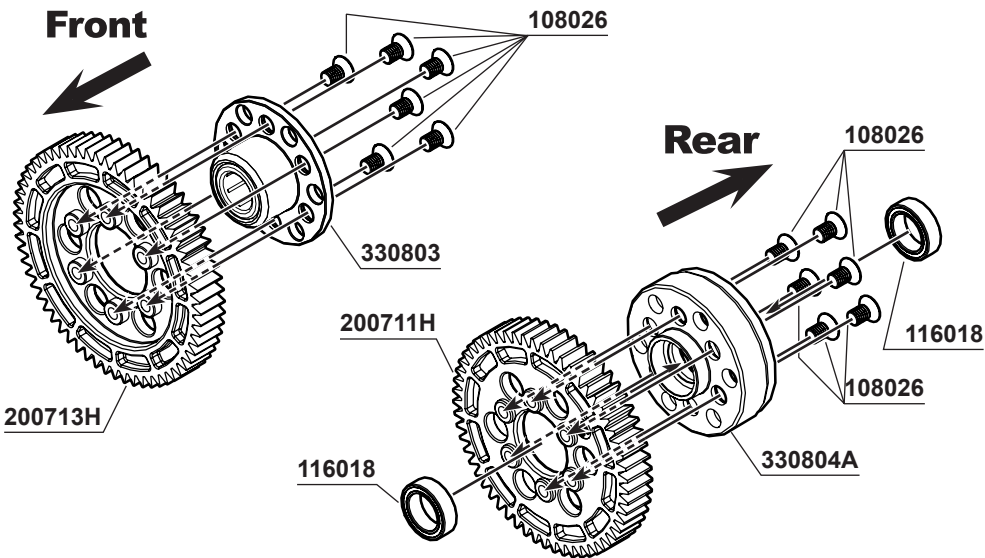
NG!



Fill the differentials with oil up to 80% above the satellite gears.
Put the SWORKz Diff. Oil 50000cps for the front Diff. and 50000cps for the rear Diff.

108026
M3x5mm FH/ST HEX Screw x12

116018
Ball Bearing 8x12x3.5mm x2

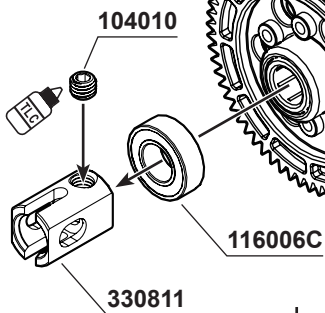
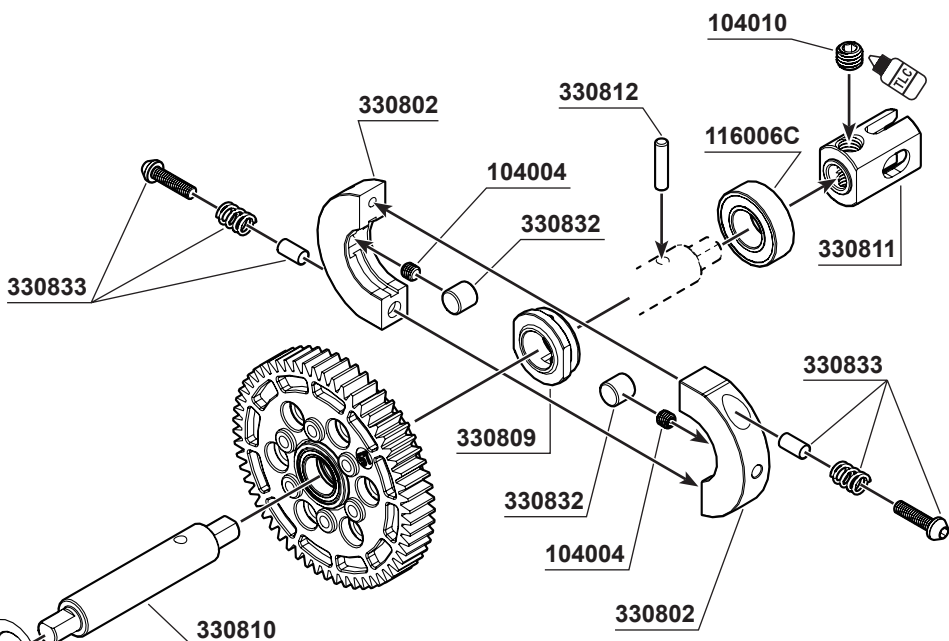


330833
S35GT 2nd Speed Spring Screw x2

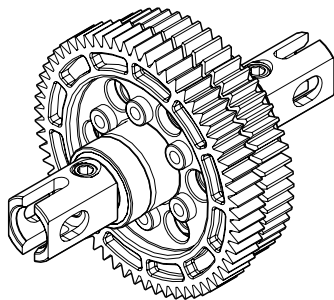
104004
M3x3mm Set Screw x2

104010
M5x4mm Set Screw (Flat Bottom) x2

116006C
Ball Bearing 8x16x5mm (Red Rubber Case) x2



101035
M8x12xT0.2mm x2



1.5 Hex

PROTIP:
Insert your hex driver all the way through the 2 speed shoe, then fit the hex screw on the hex driver and slowly turn your hex driver upwards.

Note:

Initial setup 15.5mm

By tightening the screws, the 2 speed clutch will engage later, while loosening the screws will make the 2 speed clutch engage earlier.

5 Front



104010
M5x4mm Set Screw (Flat Bottom) x1



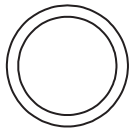
106001
M3x8mm Hex Soket OH/TP Screw x4



106002
M3x10mm Hex Soket OH/TP Screw x6



116019A
Ball Bearing 5x13x4mm (Red Rubber Case) x2



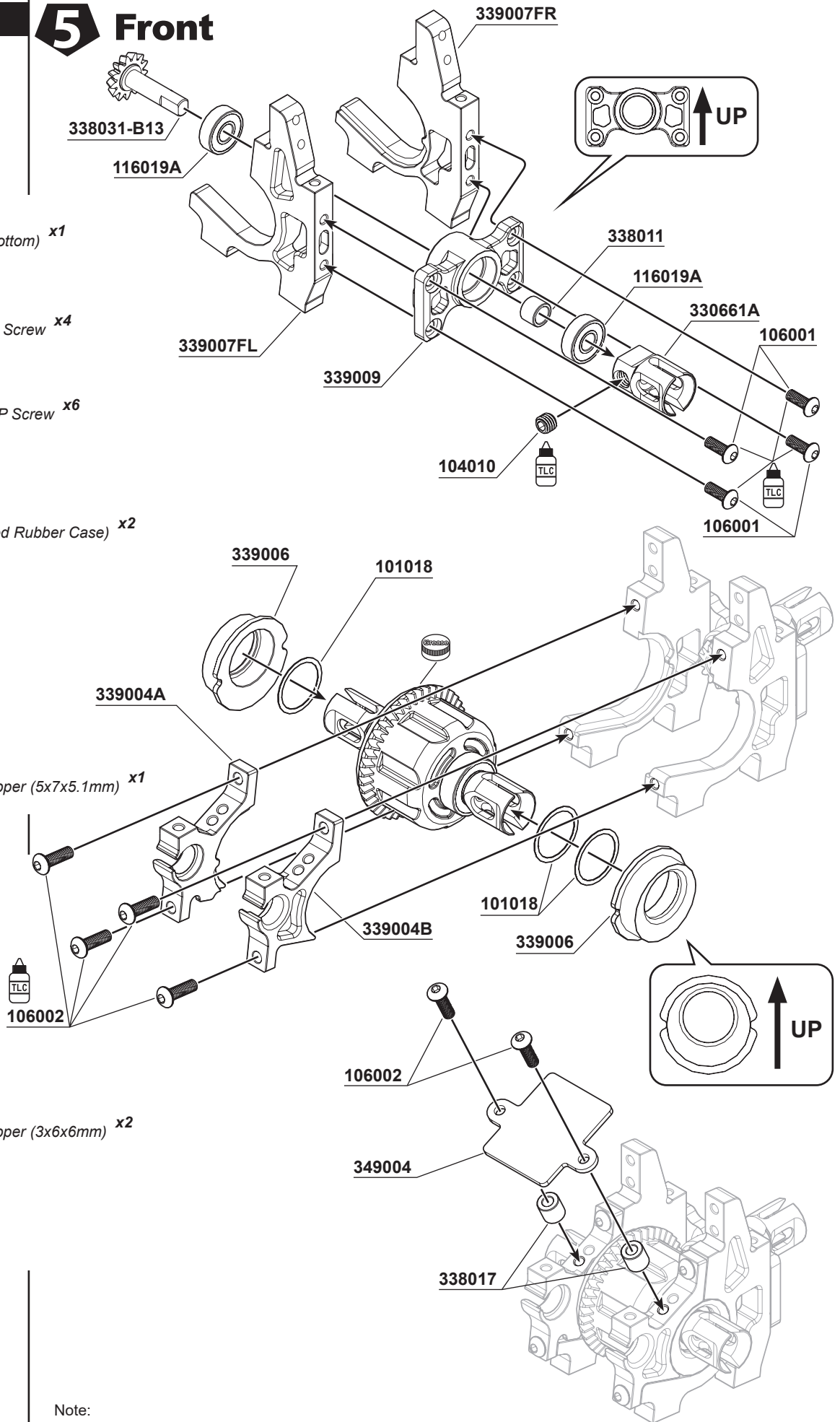
101018
SHIM 13x16x0.2mm x3



338011
S35 series Pinion Gear Stopper (5x7x5.1mm) x1



338017
S35 series Pinion Gear Stopper (3x6x6mm) x2



Note:
101018SHIM 13x16x0.2mm
Please use 13x16x0.2mm shims to adjust the play between the crown gear and pinion gear.
Standard suggestion is 1pc shim on the diff crown gear side and 3 pcs on the other side.

6 Rear



104010
M5x4mm Set Screw (Flat Bottom) x1



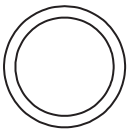
106001
M3x8mm Hex Soket OH/TP Screw x4



106002
M3x10mm Hex Soket OH/TP Screw x6



116019A
Ball Bearing 5x13x4mm (Red Rubber Case) x2



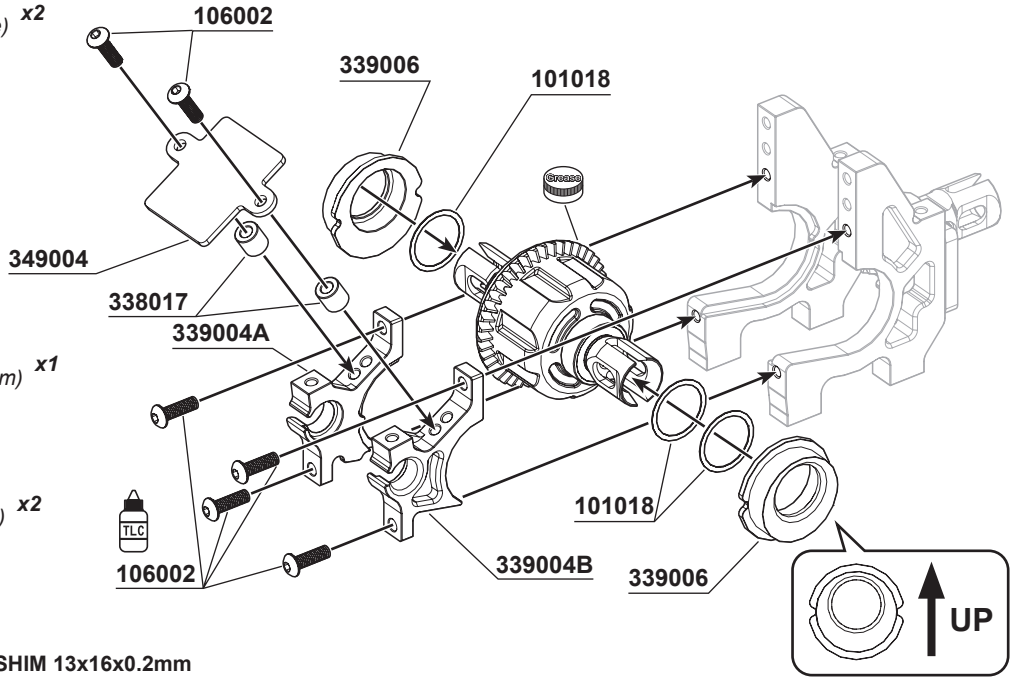
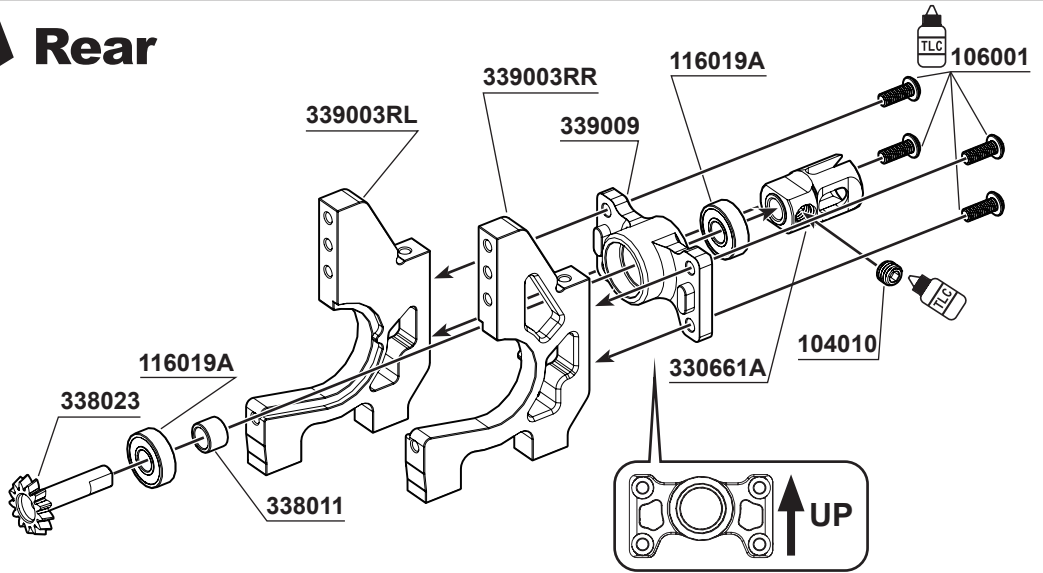
101018
SHIM 13x16x0.2mm x3



338011
S35 series Pinion Gear Stopper (5x7x5.1mm) x1



338017
S35 series Pinion Gear Stopper (3x6x6mm) x2



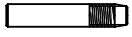
Note:
101018SHIM 13x16x0.2mm
Please use 13x16x0.2mm shims to adjust the play between the crown gear and pinion gear.
Standard suggestion is 1pc shim on the diff crown gear side and 3 pcs on the other side.

BAG E1

7



x2



339032
SWORKz
S35-GT2.2 FTE Series
Shock End Extension Holder
Pin-Screws x4



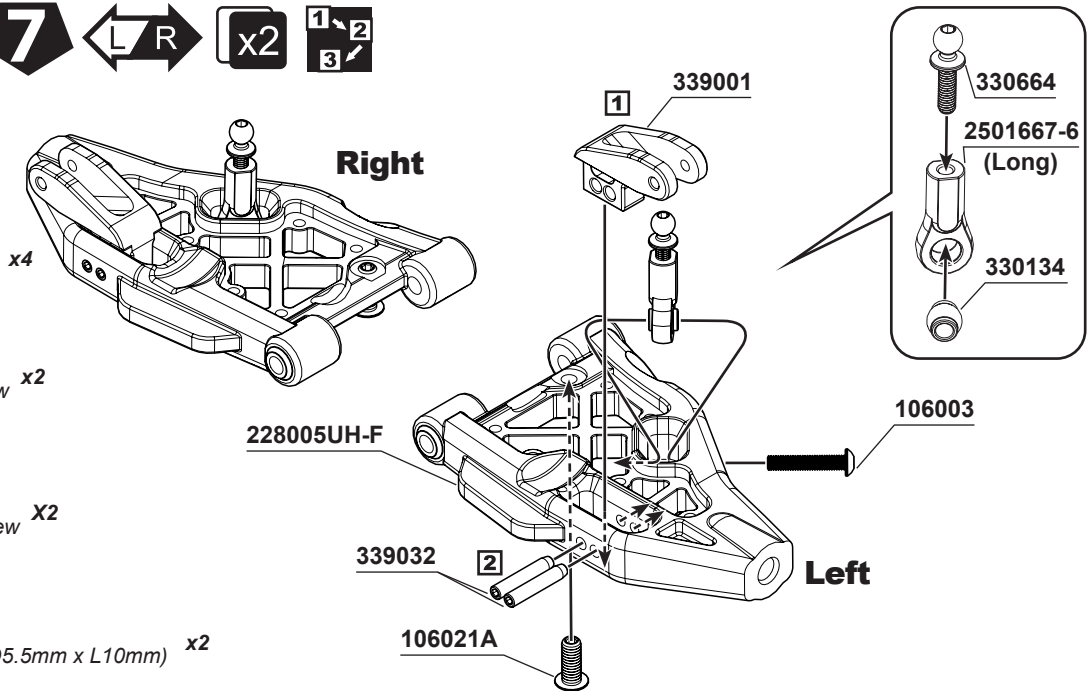
106003
M3x16mm Hex Soket OH/TP Screw x2



106021A
M4x10mm Hex Socket OH/TP Screw x2

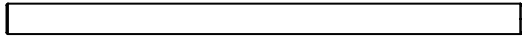


330664
SWORKz 1/10 Linkage Ball Stud D5.5mm x L10mm) x2

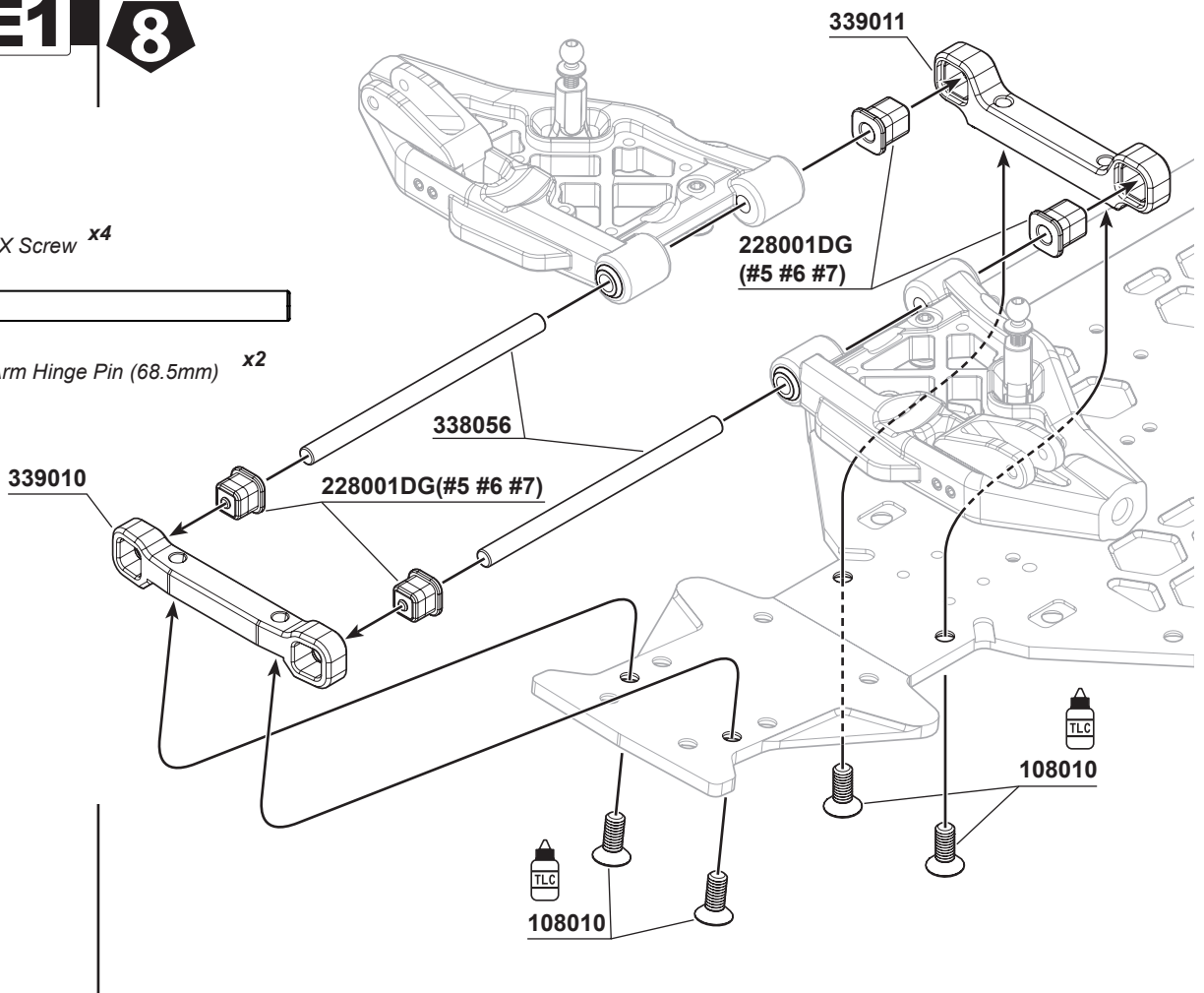




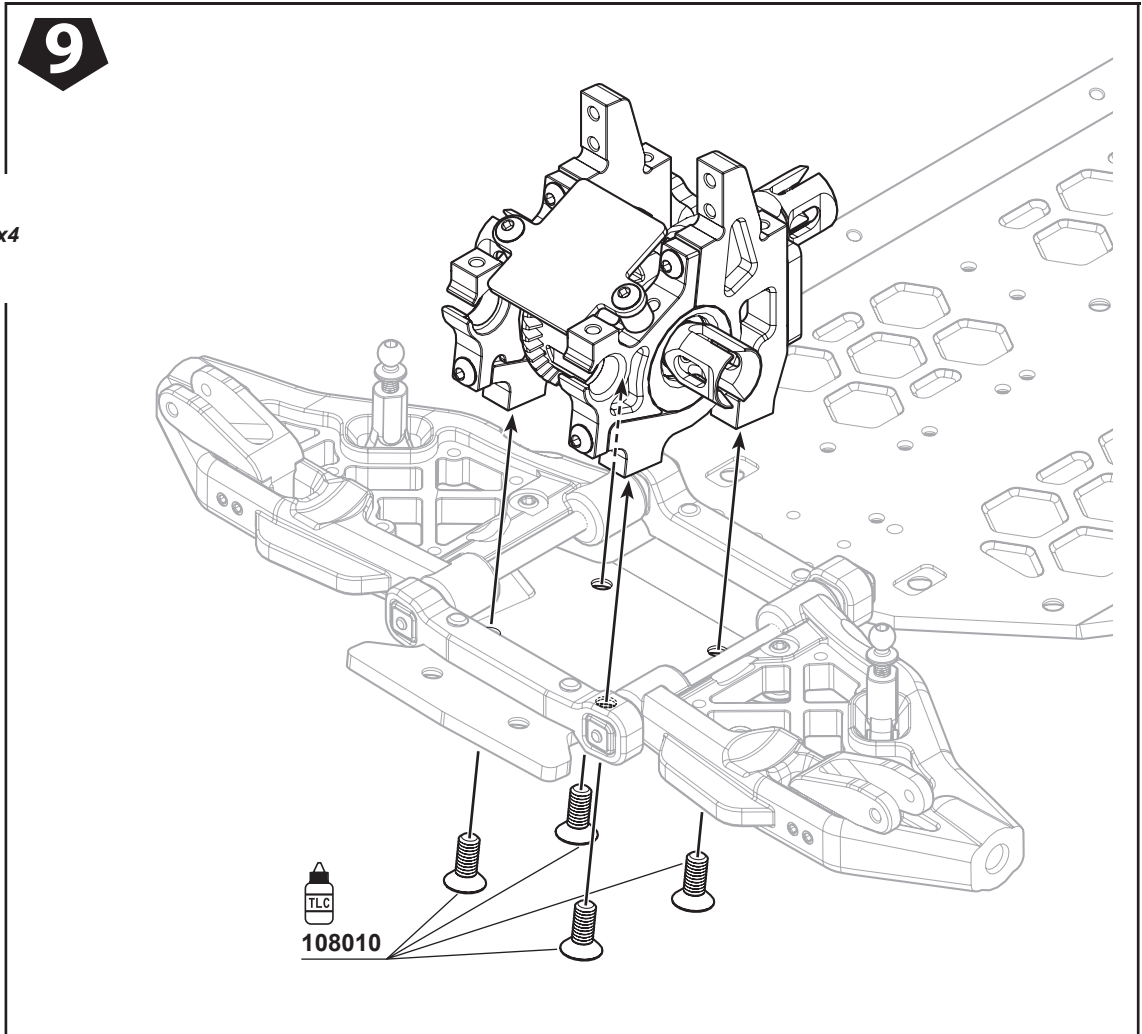
108010
M4x10mm FH/ST HEX Screw x4



338056
S35-4 Series Lower Arm Hinge Pin (68.5mm) x2

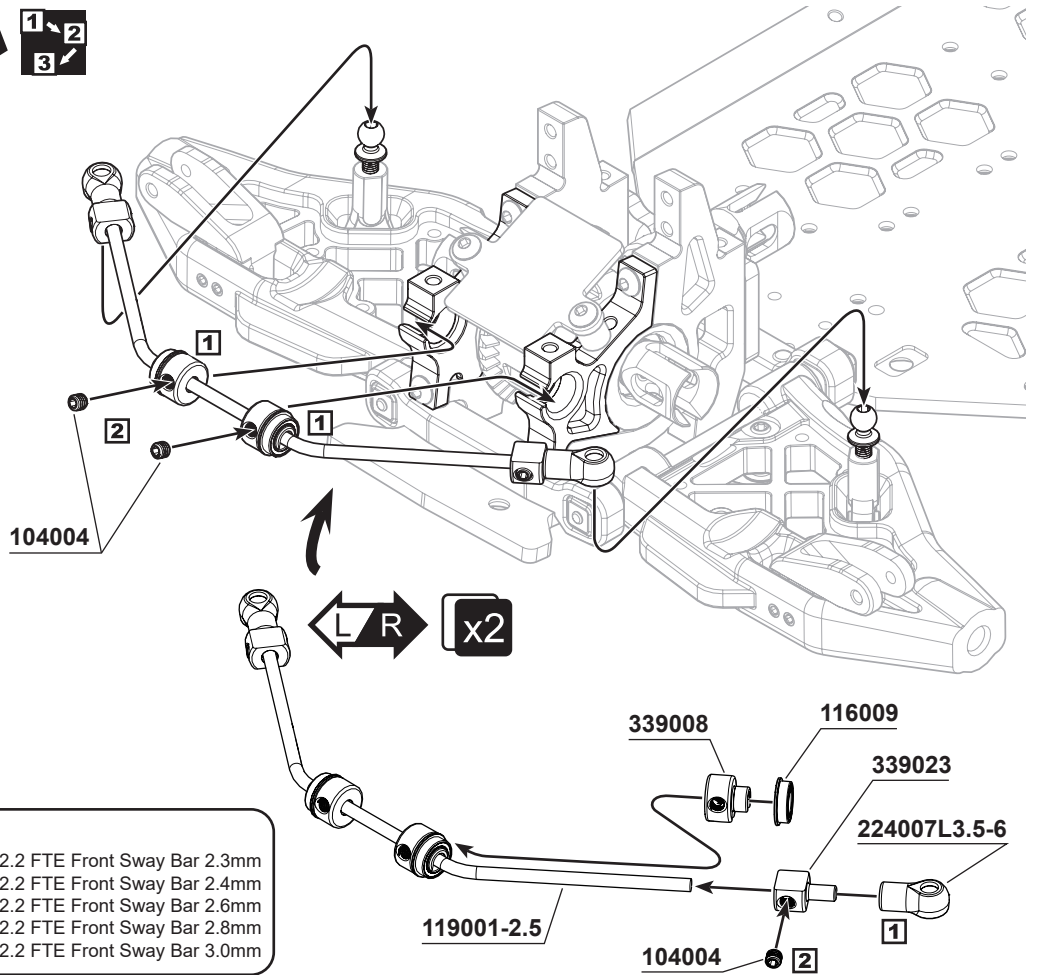


108010
M4x10mm FH/ST HEX Screw x4



104004
M3x3mm Set Screw x4

116009
Flange Ball Bearing 5x8x2.5mm x2

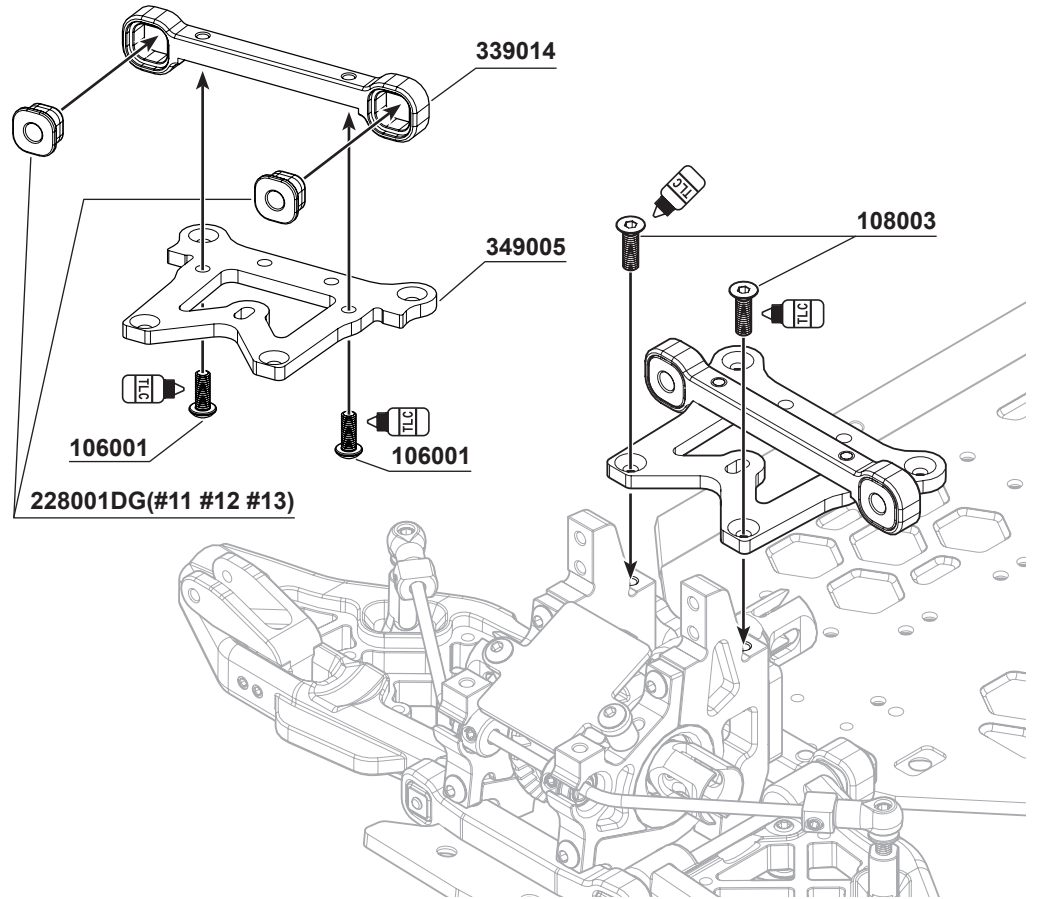


OPTION:
 SW-119001-2.3 S35-GT2.2 FTE Front Sway Bar 2.3mm
 SW-119001-2.4 S35-GT2.2 FTE Front Sway Bar 2.4mm
 SW-119001-2.6 S35-GT2.2 FTE Front Sway Bar 2.6mm
 SW-119001-2.8 S35-GT2.2 FTE Front Sway Bar 2.8mm
 SW-119001-3.0 S35-GT2.2 FTE Front Sway Bar 3.0mm

108003
M3x10mm FH/ST HEX Screw x2

106001
M3x8mm Hex Soket OH/TP Screw x2

Note:
 The aluminum front upper arm holder (339014) can offer either 0° or + -1° kick-up for your front upper arm suspension.
 You may use the inserts 228001DG(#13) to get 0° kick-up or 228001DG(#12) to get + -1° for your front upper suspension.



PRO TIP:

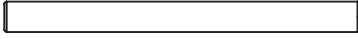
The S35-GT2/2e Front Upper Arm Adjust Inserts can give different steering adjustments (Ackerman). Put all inserts behind the front upper arms, you will get faster steering response. Otherwise put all inserts in front of the upper arms, you will get more stable steering response. Try to use 2503260-1 or 2503260-3 to adjust the front upper arm position.



108003
M3x10mm FH/ST HEX Screw x4



106011
M3x4mm Hex Socket OH/TP Screw x2



330119
Front Upper Arm HingPin x2

349002

228001DG(#14 #15 #16)

106011



108003



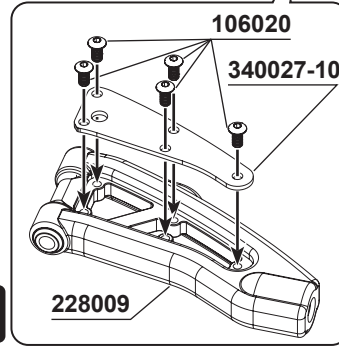
108003

106011

228001DG
(#14 #15 #16)

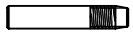


106020
M2.5x5mm Hex Socket OH/TP Screw x10



Note:
2503260-1
S35-3 Front Upper Arm Adjust Insert (0.9mm)
2503260-2
S35-3 Front Upper Arm Adjust Insert (1.0mm)
2503260-3
S35-3 Front Upper Arm Adjust Insert (1.1mm)
2503260-4
S35-3 Front Upper Arm Adjust Insert (2.0mm)

13



339032
SWORKz S35-GT2.2 FTE Series Shock End Extension Holder Pin-Screws x4



103004
M2.5mm Nut Lock x4



106003
M3x16mm Hex Soket OH/TP Screw x2



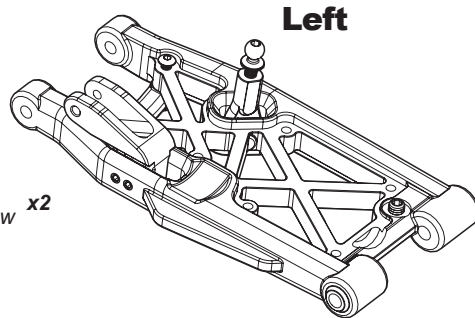
106021A
M4x10mm Hex Socket OH/TP Screw x2



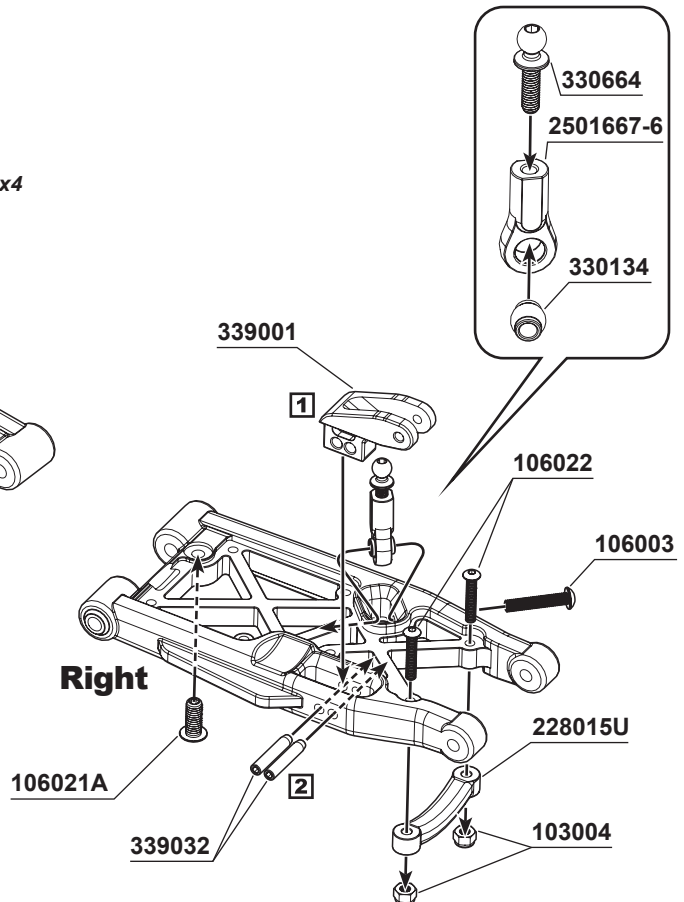
106022
M2.5x14mm Hex Soket OH/TP Screw x2



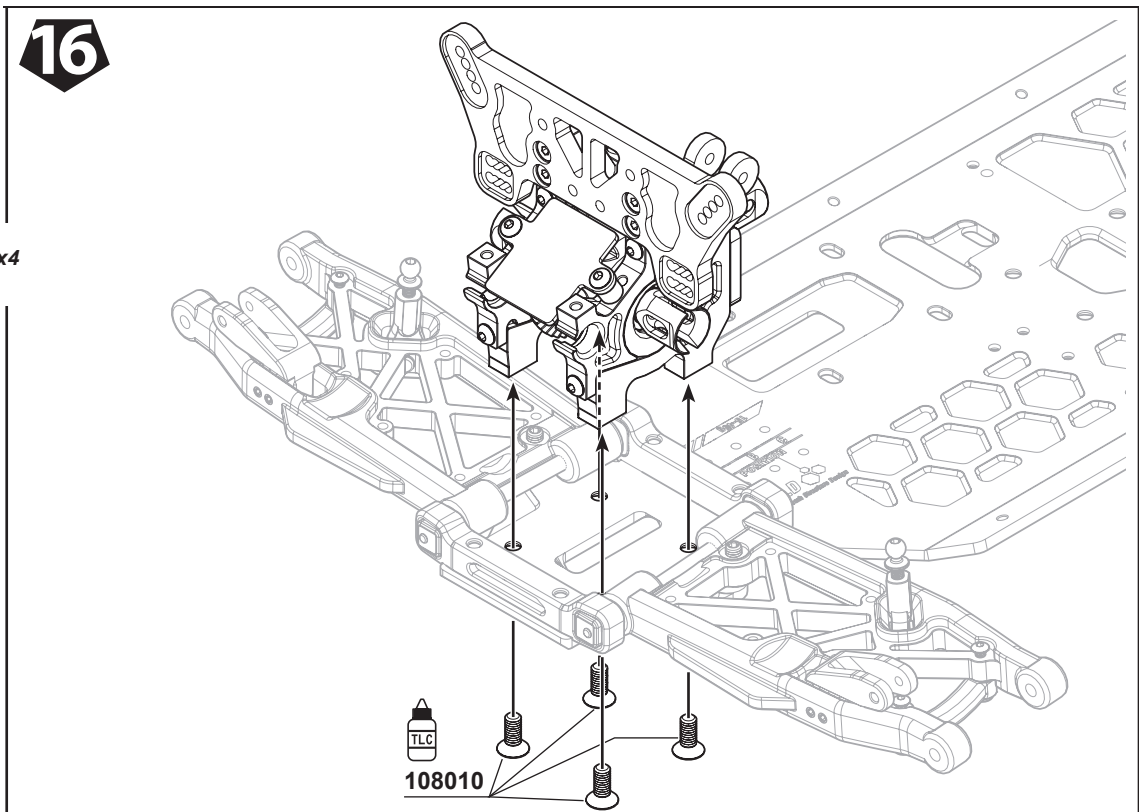
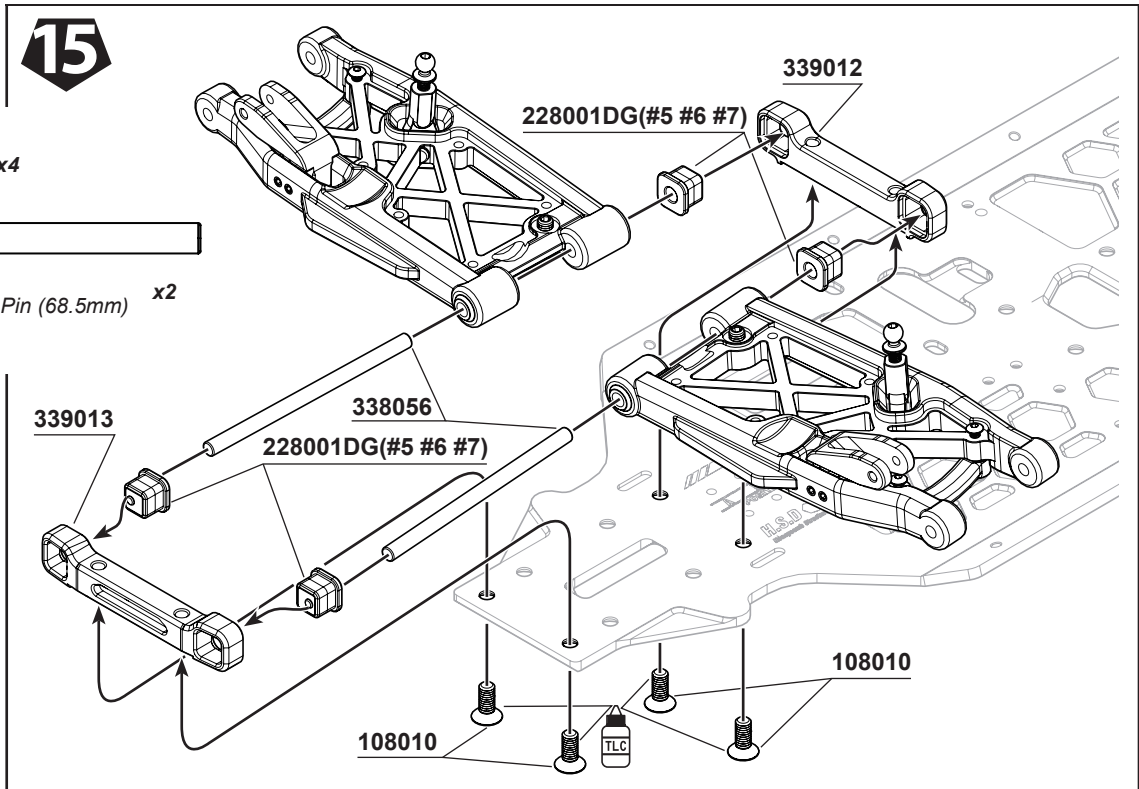
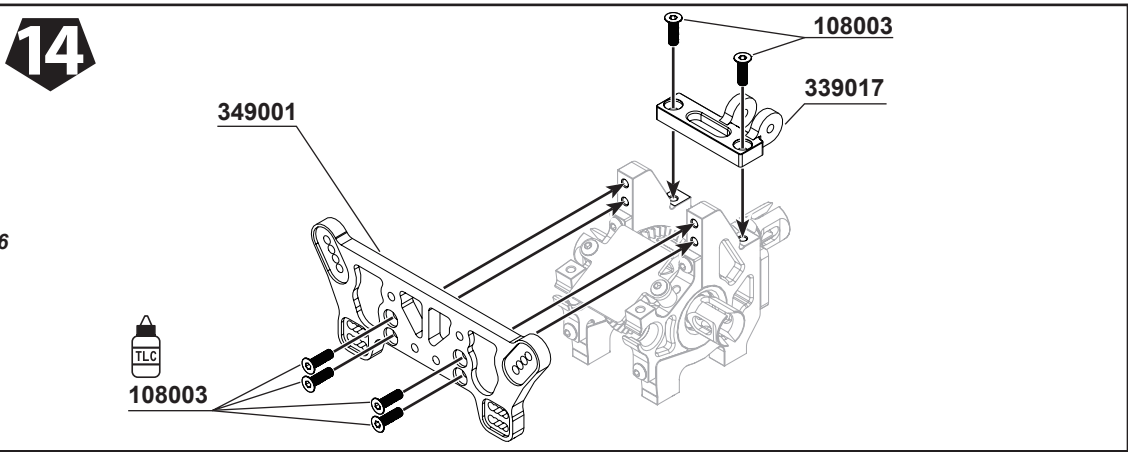
330664
SWORKz 1/10 Linkage Ball Stud D5.5mm x L10mm) x2



Left



Right



17

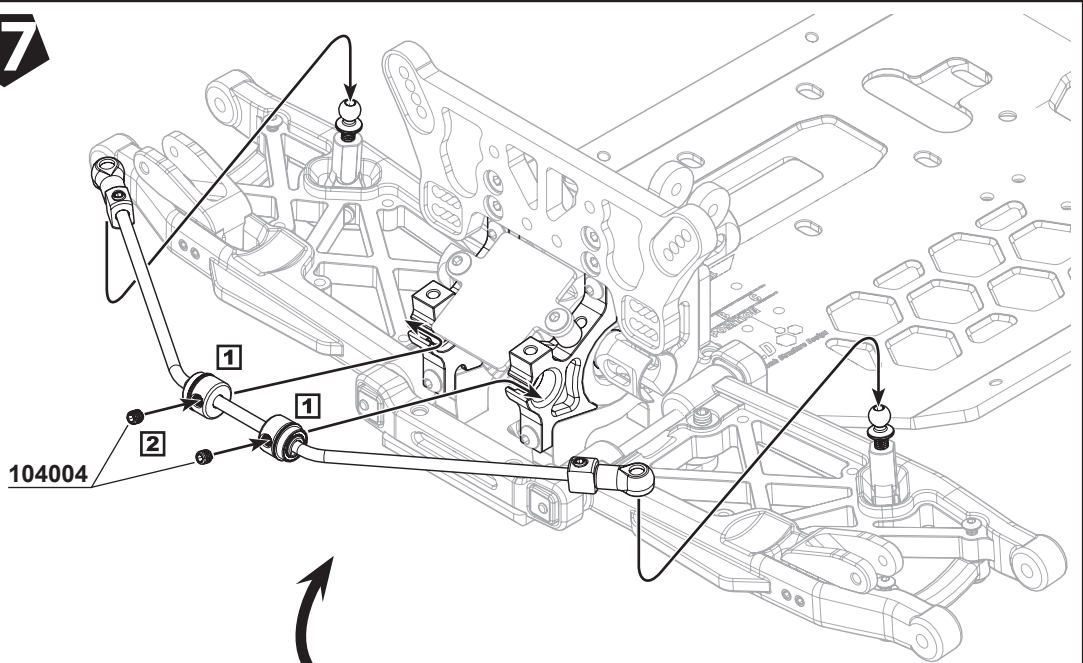


104004
M3x3mm Set Screw x4



116009
Flange Ball Bearing 5x8x2.5mm x2

104004



OPTION:

- SW-119002-2.5 S35-GT2.2 FTE Rear Sway Bar 2.5mm
- SW-119002-2.6 S35-GT2.2 FTE Rear Sway Bar 2.6mm
- SW-119002-2.7 S35-GT2.2 FTE Rear Sway Bar 2.7mm
- SW-119002-3.0 S35-GT2.2 FTE Rear Sway Bar 3.0mm

119002-2.8

339008

116009

224007L3.5-6

104004

339023

1

BAG E2

18



108006
M3x8mm FH/ST HEX Screw x3



116004R
Ball Bearing 6x10x3mm (Red Rubber Case) x4



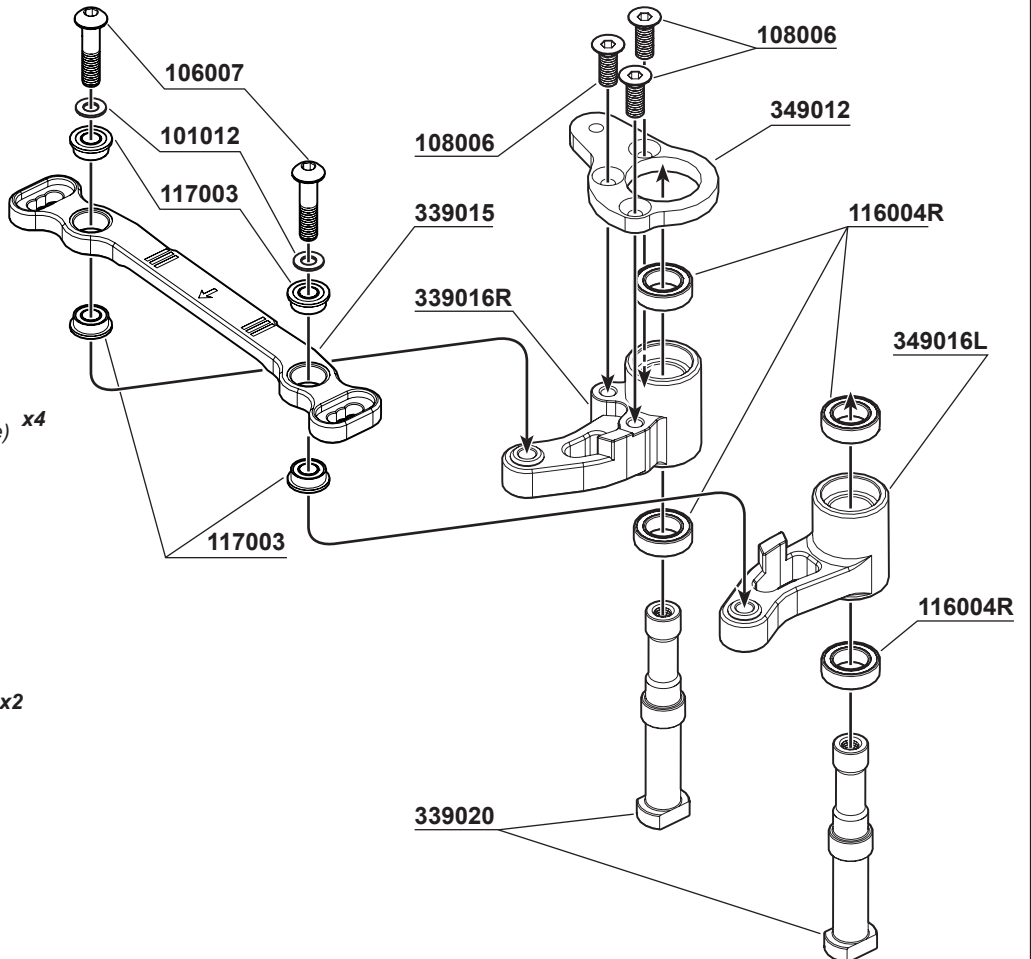
117003
Flange Ball Bearing 3x6x2.5mm x4



106007
M3x12mm Hex Socket OH/TP Screw(HT) x2



101012
M3x6xT0.6mm x2



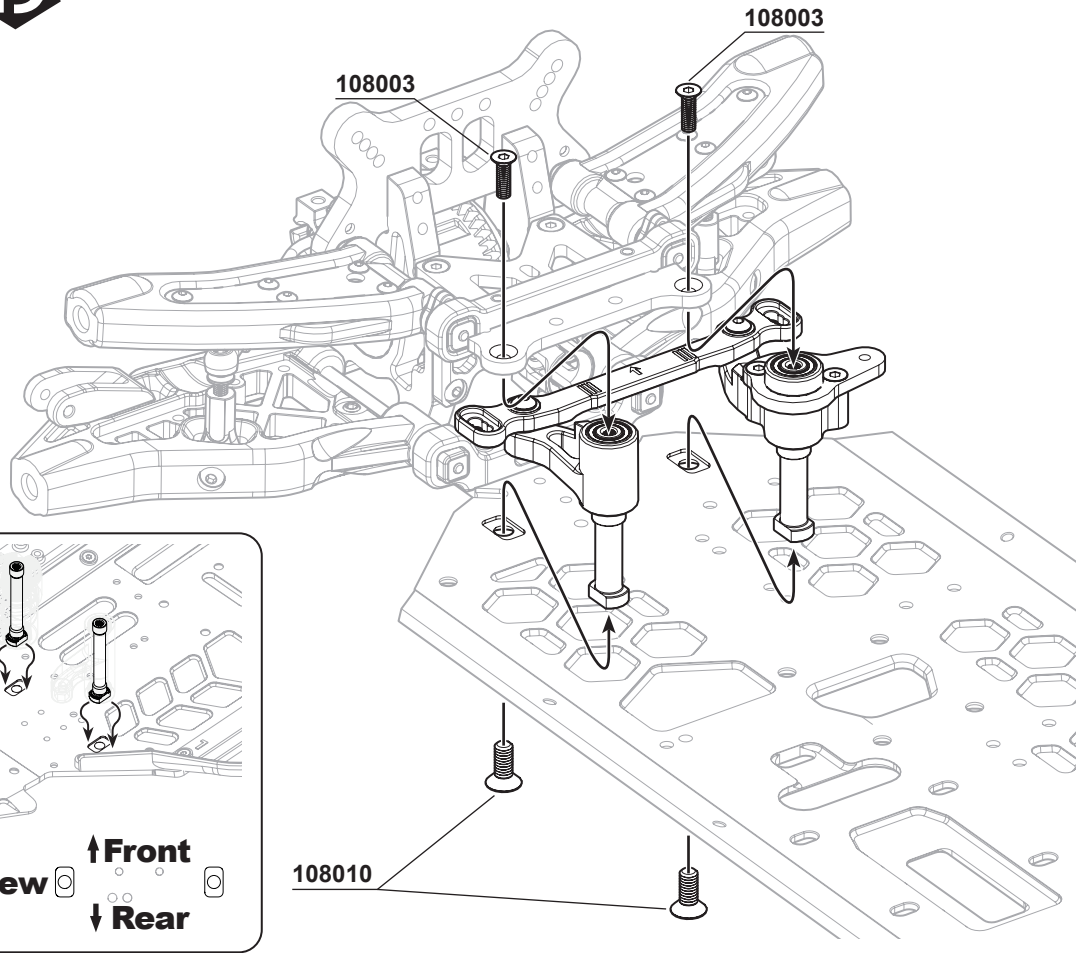
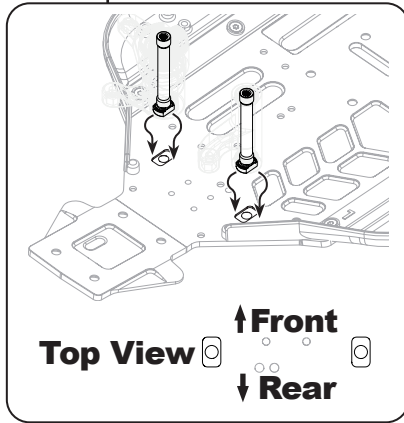


108003
M3x10mm FH/ST HEX Screw x2



108010
M4x10mm FH/ST HEX Screw x2

19



BAG E3

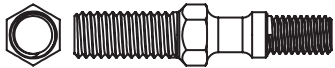
20



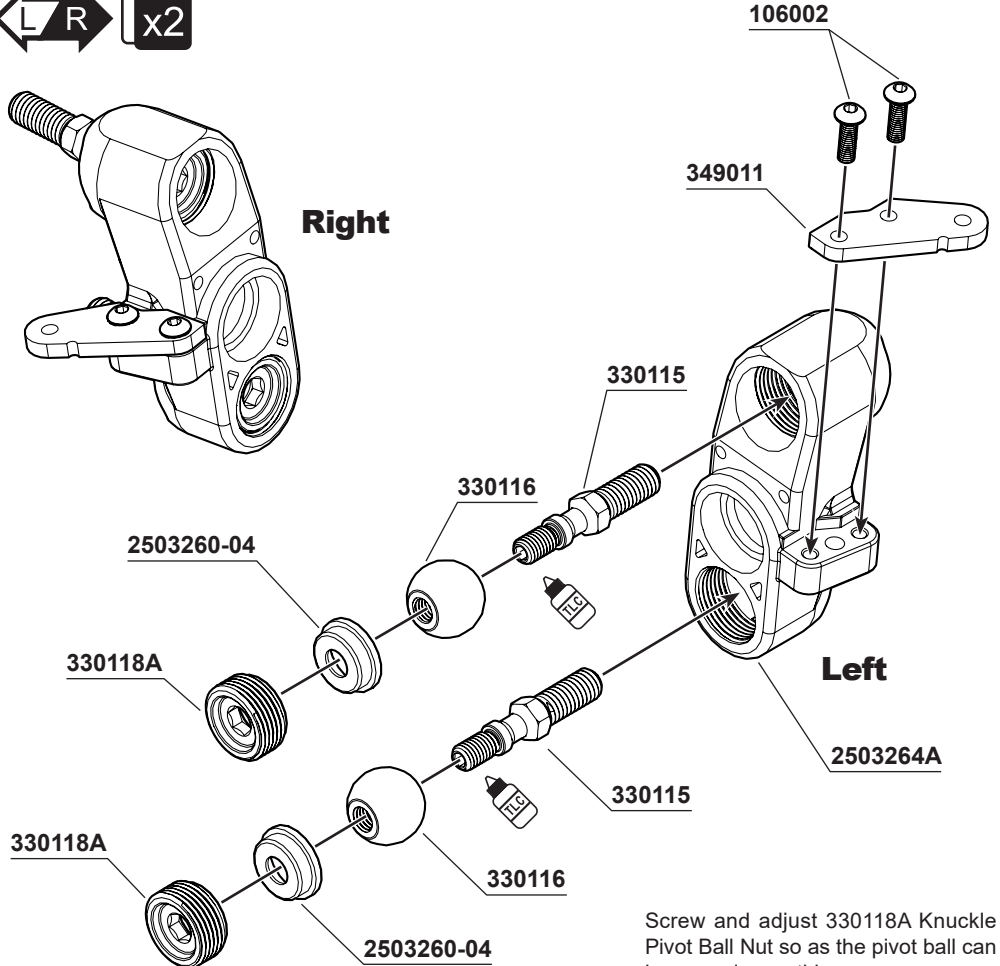
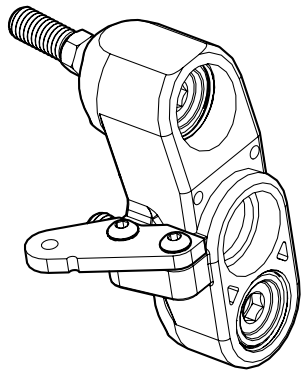
x2



106002
M3x10mm Hex Socket OH/TP Screw x4



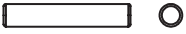
330115
Steering Knuckle Pivot Ball Turnbuckle x4



Screw and adjust 330118A Knuckle Pivot Ball Nut so as the pivot ball can be moved smoothly.



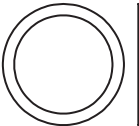
104010
M5x4mm Set Screw (Flat Bottom) x2



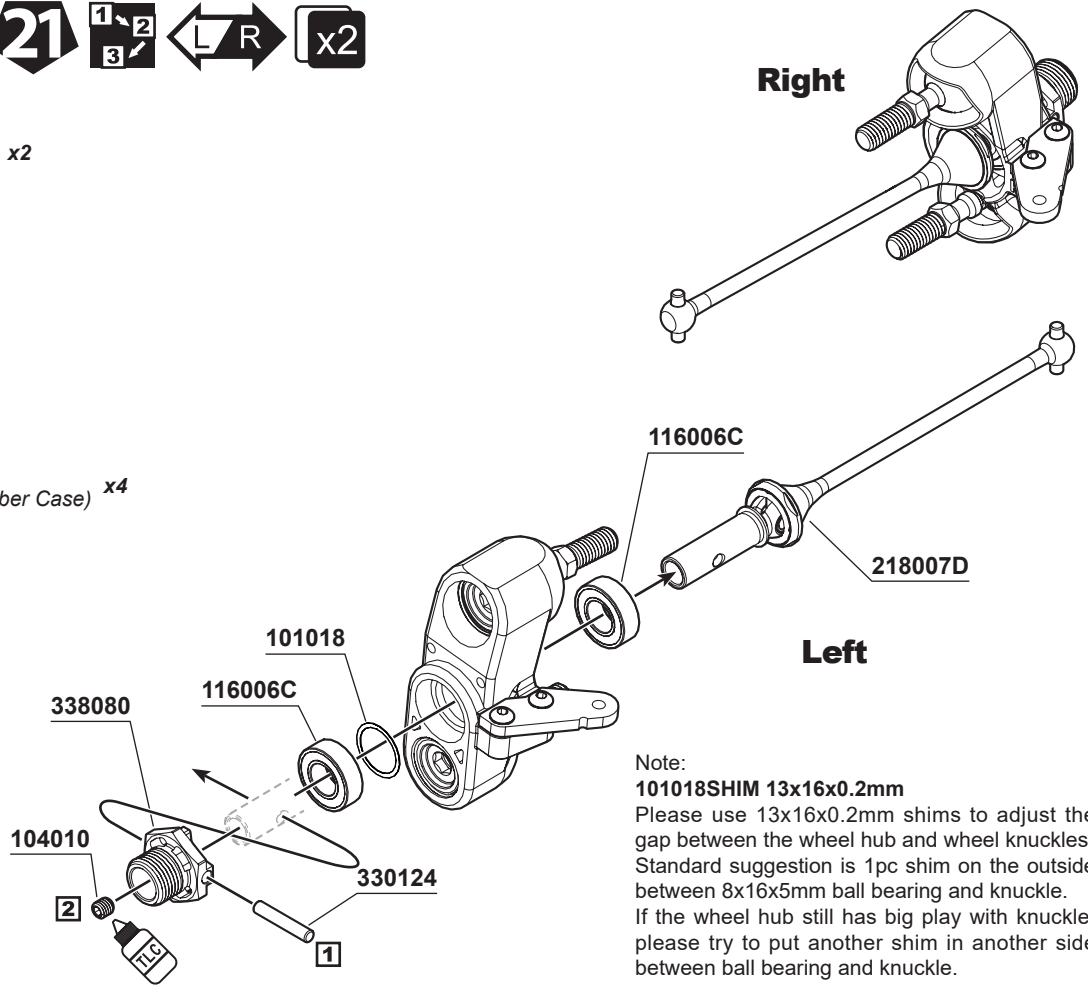
330124
Pin M3.0x16.8mm x2



116006C
Ball Bearing 8x16x5mm (Red Rubber Case) x4



101018
SHIM 13x16x0.2mm x2



106001
M3x10mm Hex Soket OH/TP Screw x8



106009
M3x25mm Hex Soket OH/TP Screw x4



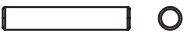
103001
M3 Nut Lock x4



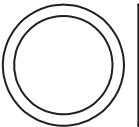
104010
M5x4mm Set Screw (Flat Bottom) x2



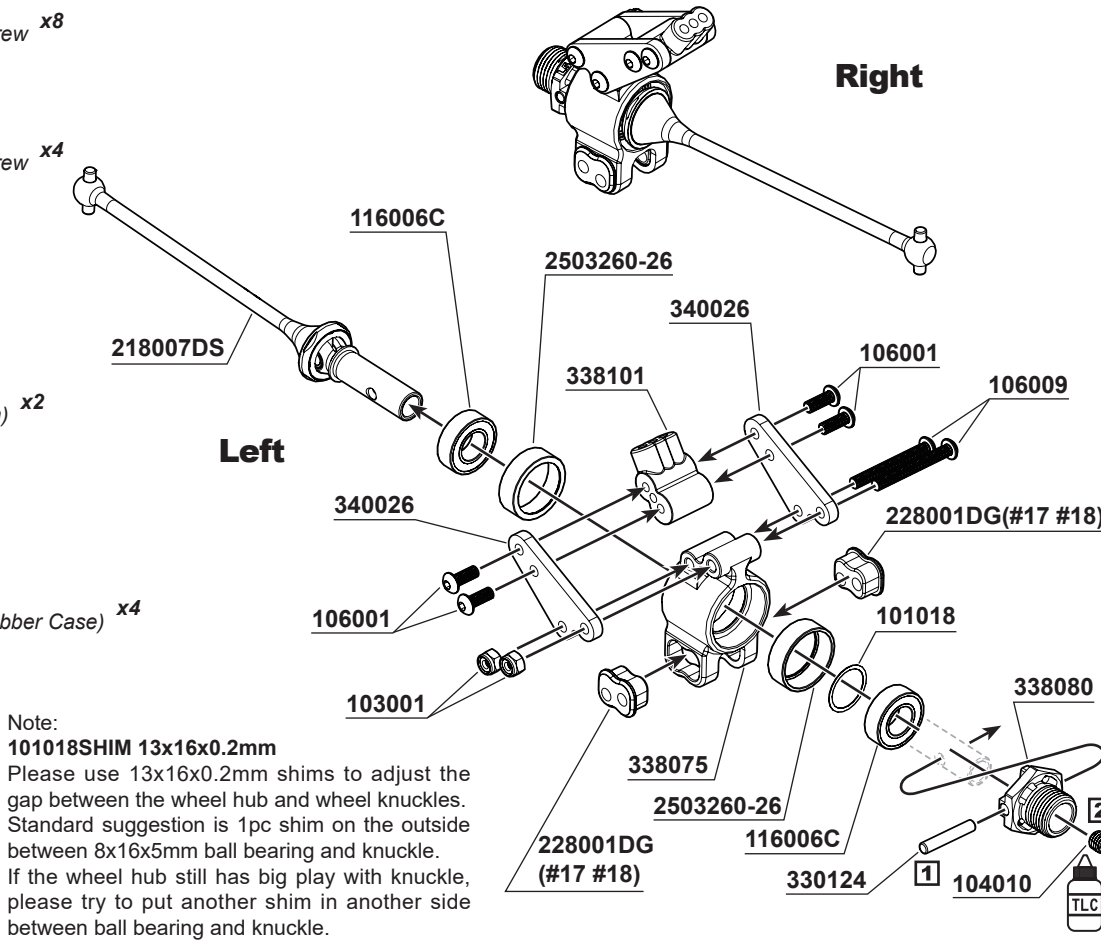
116006C
Ball Bearing 8x16x5mm (Red Rubber Case) x4

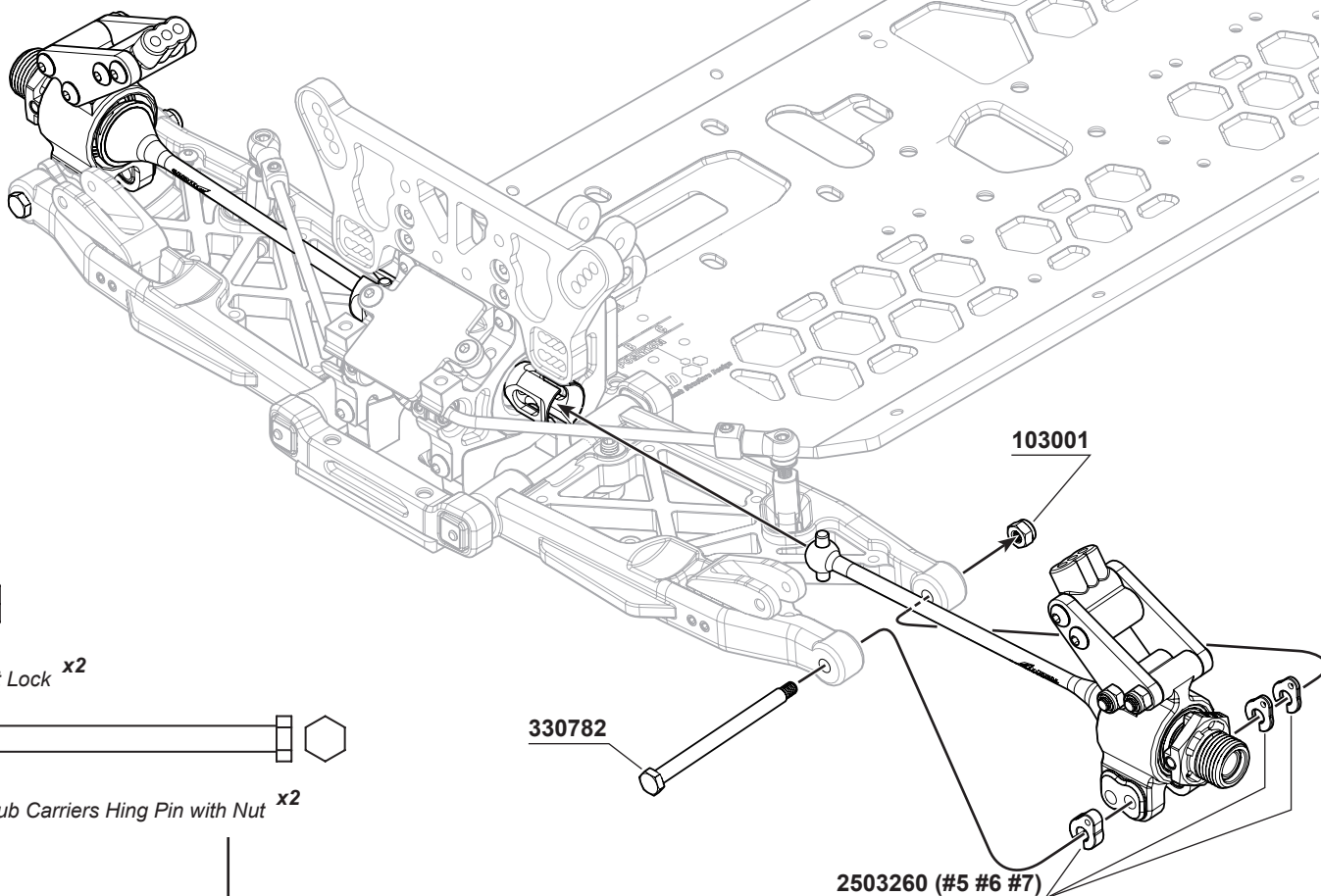
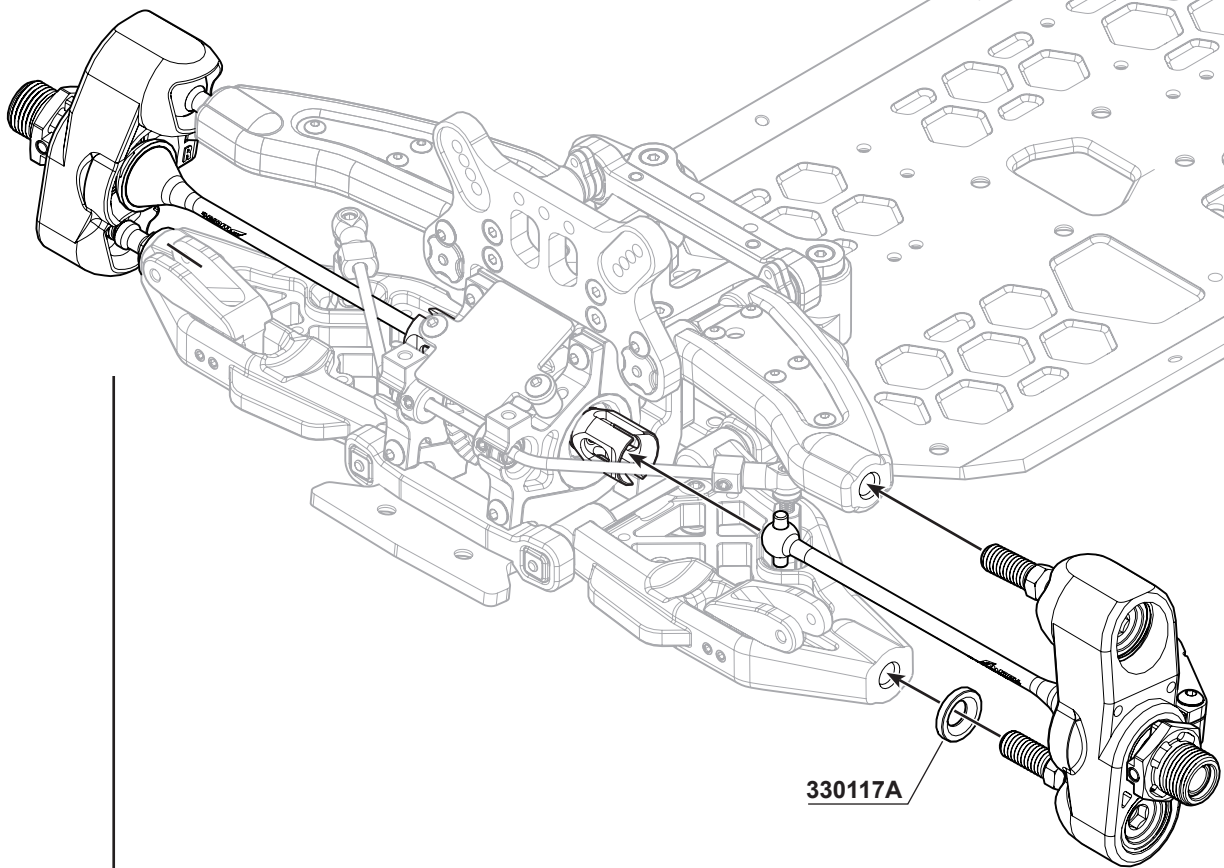


330124
Pin M3.0x16.8mm x2

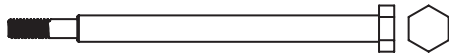


101018
SHIM 13x16x0.2mm x2





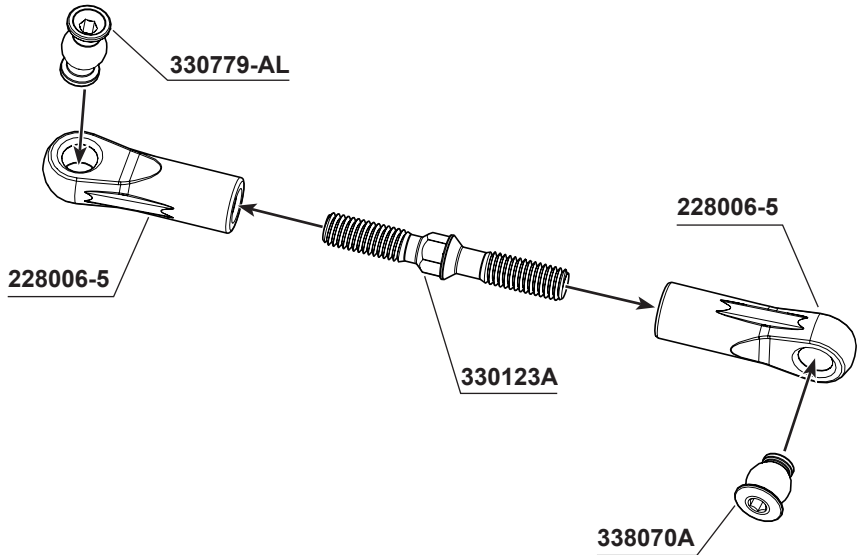
103001
M3 Nut Lock x2



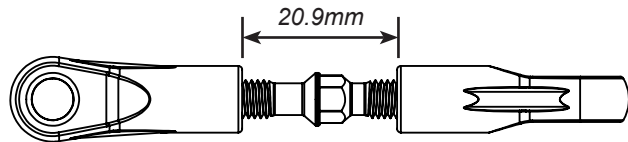
330782
Rear Hub Carriers Hing Pin with Nut x2



330123A
Rear Upper Sus. Arm Turnbuckles **x2**



1:1



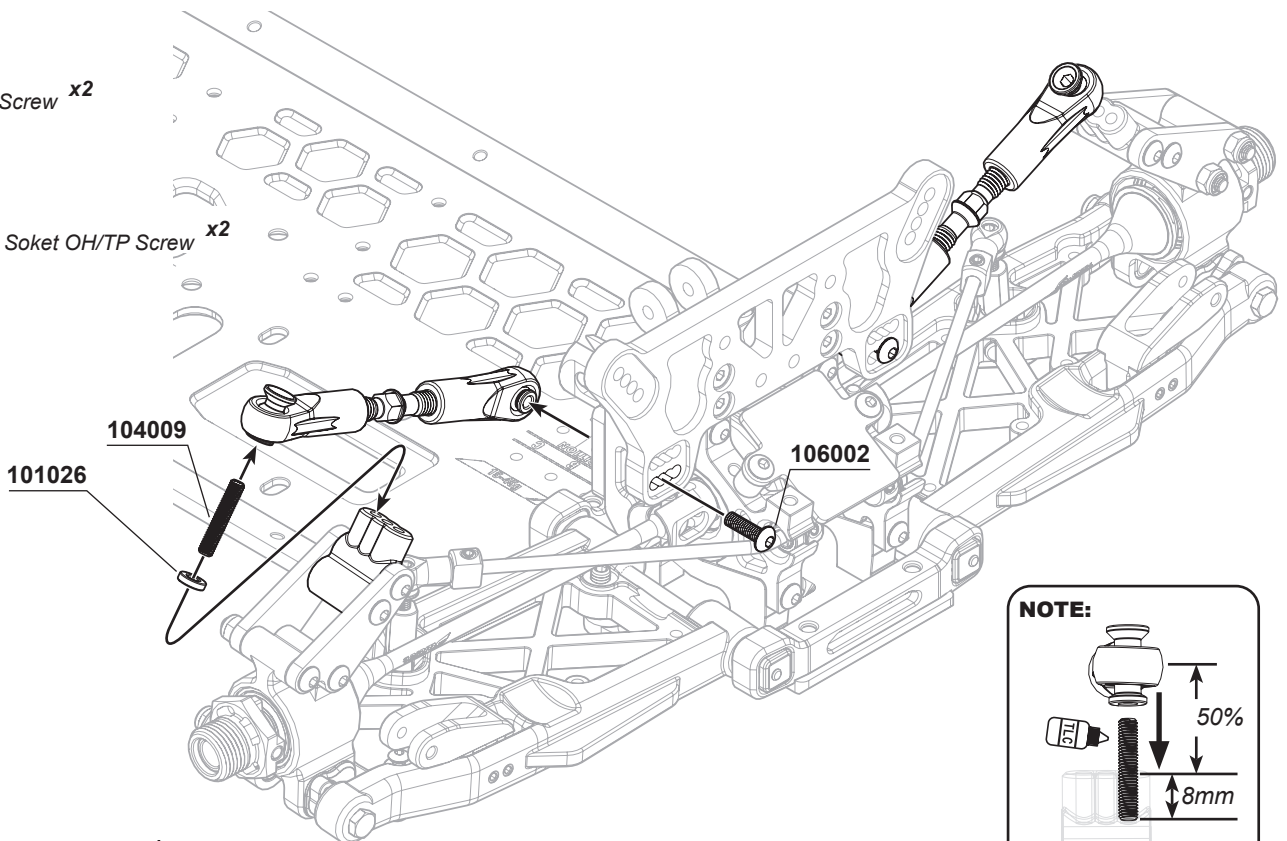
101026
S102 Aluminum Washer 3X6X1.5mm **x2**



104009
M3x16mm Set Screw **x2**



106002
M3x10mm Hex Scket OH/TP Screw **x2**



NOTE:

50%
8mm



103001
M3 Nut Lock x2



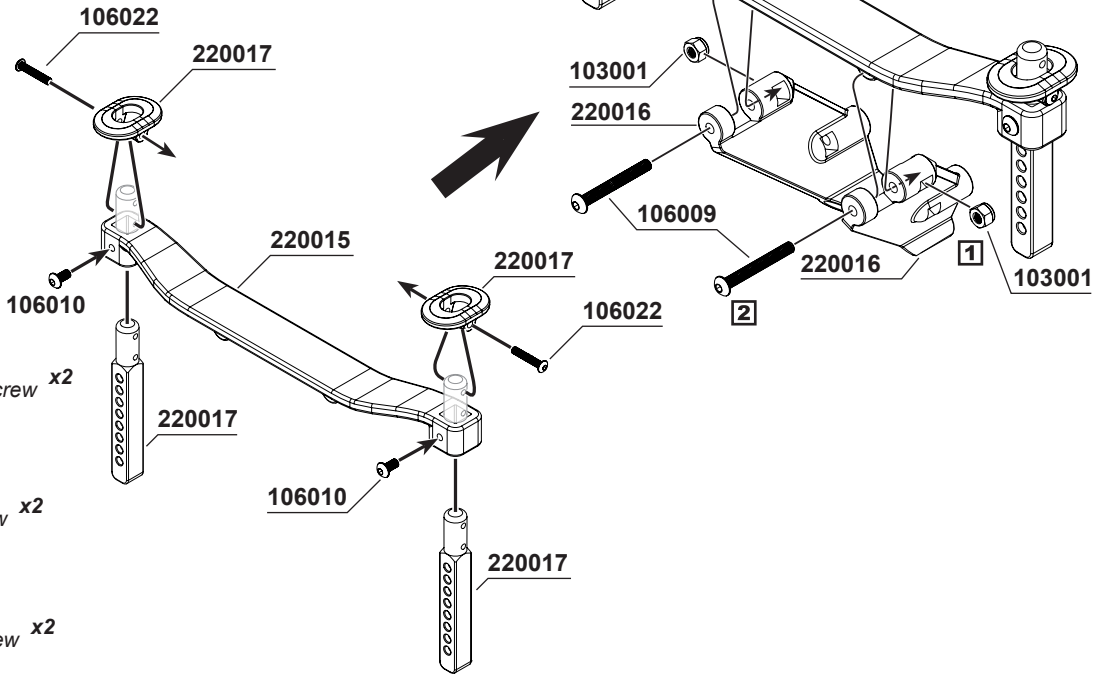
106022
M2.5x14mm Hex Socket OH/TP Screw x2



106010
M3x6mm Hex Socket OH/TP Screw x2



106009
M3x25mm Hex Socket OH/TP Screw x2



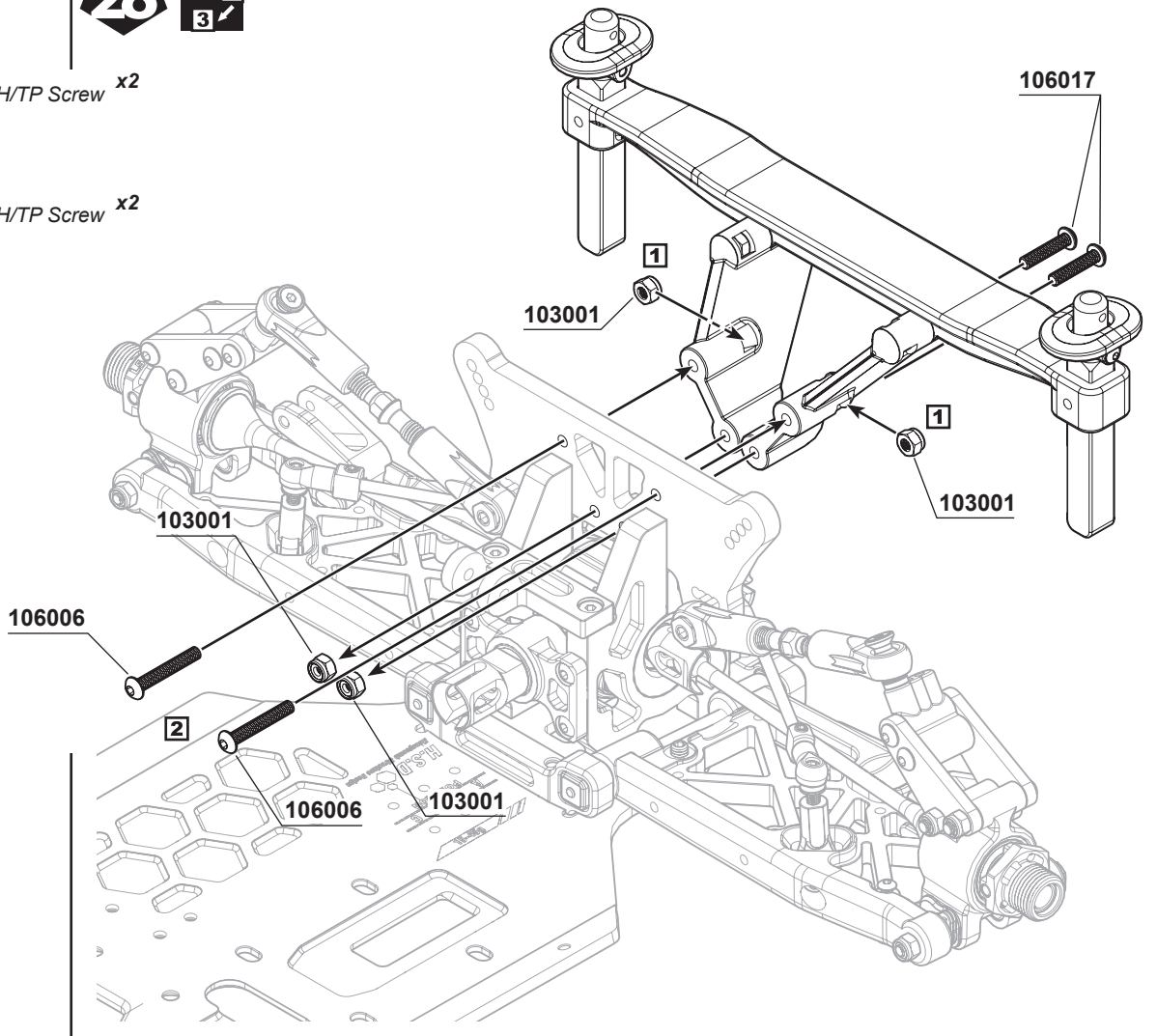
106006
M3x20mm Hex Socket OH/TP Screw x2

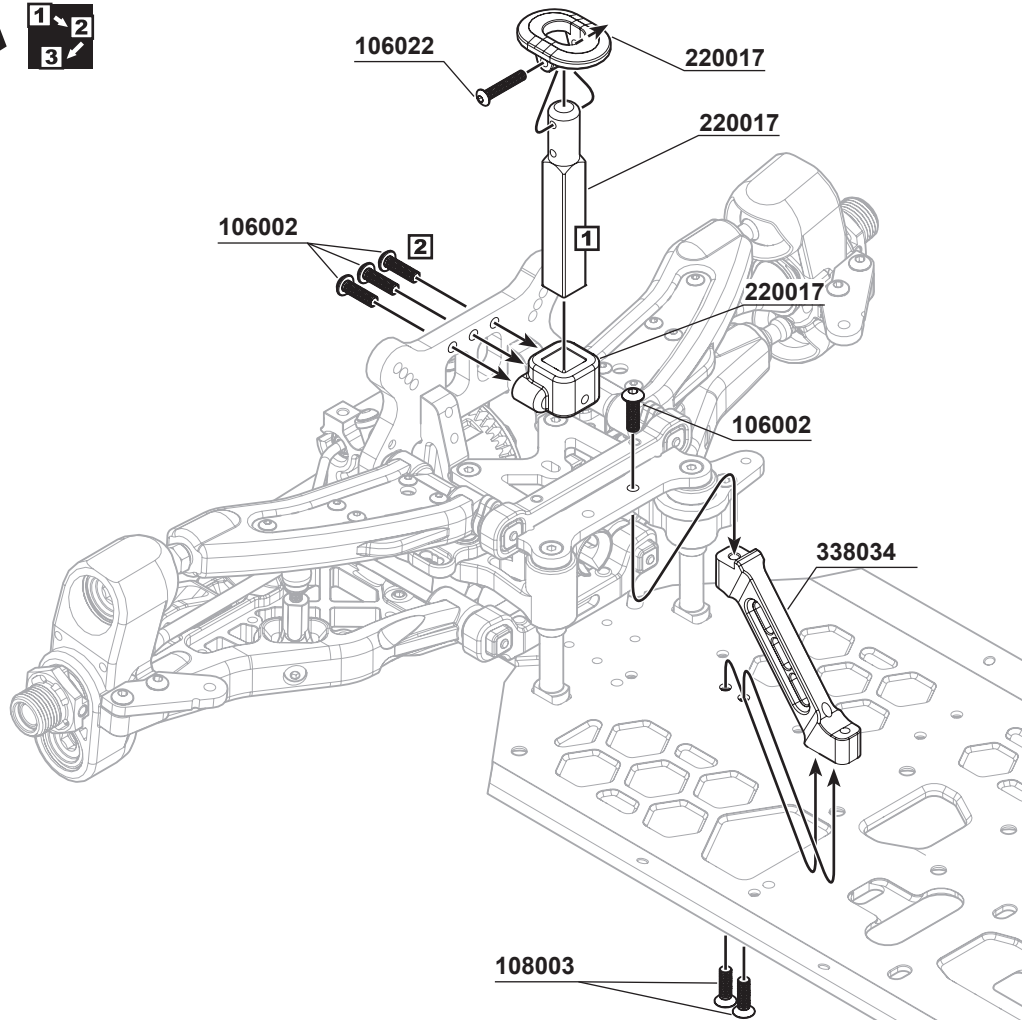
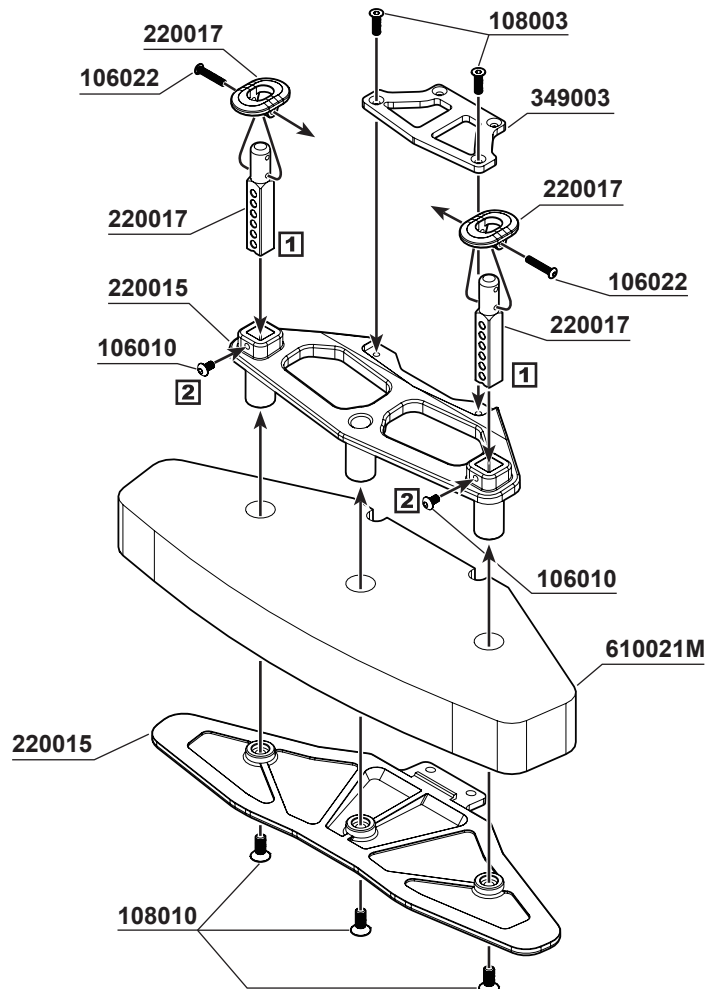


106017
M3x14mm Hex Socket OH/TP Screw x2

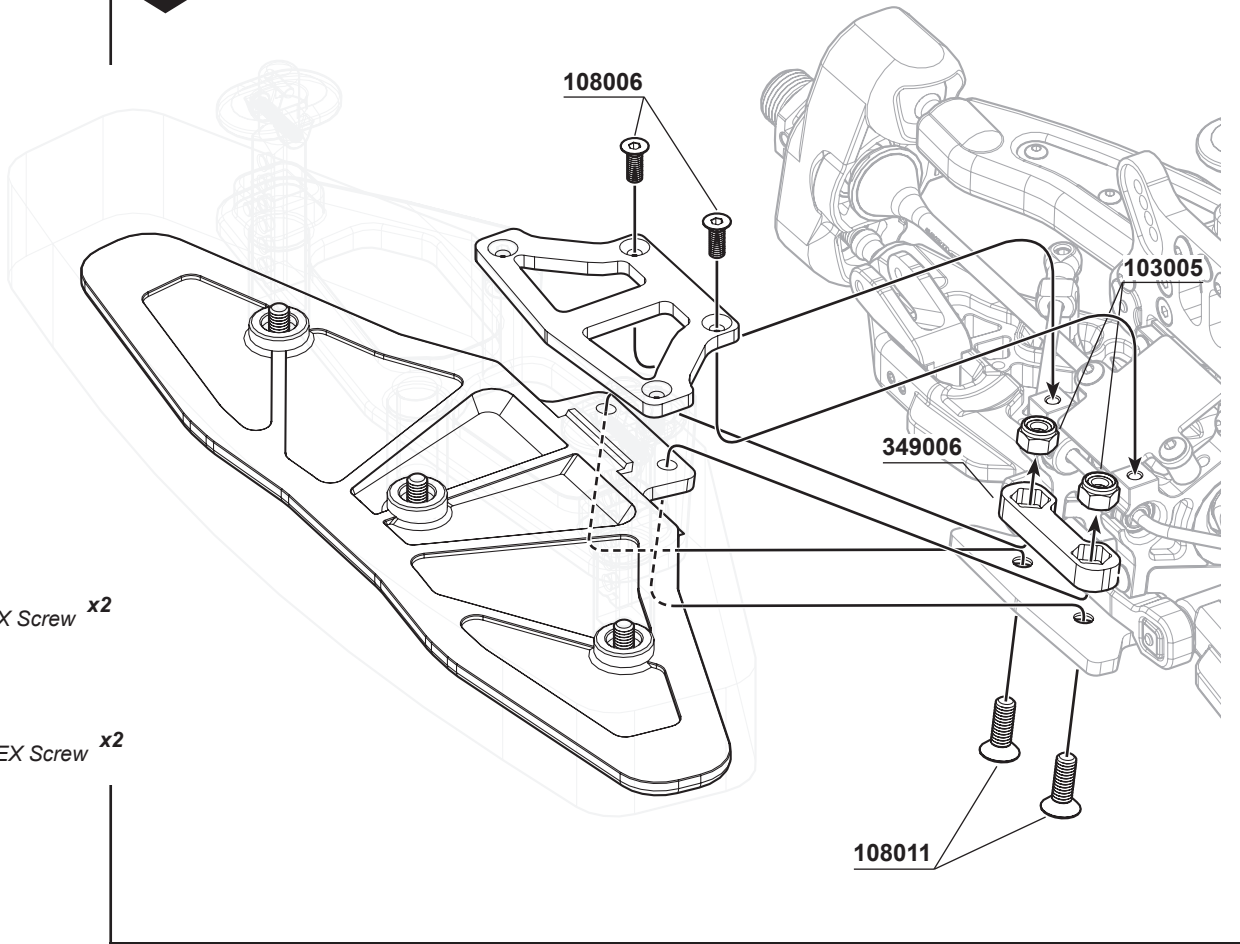


103001
M3xNut Lock x4



291 2
3**106002**
M3x10mm Hex Soket OH/TP Screw x4**106022**
M2.5x14mm Hex Soket OH/TP Screw x1**108003**
M3x10mm FH/ST HEX Screw x3**BAG F****30**1 2
3**106022**
M2.5x14mm Hex Soket OH/TP Screw x2**106010**
M3x6mm Hex Soket OH/TP Screw x2**108003**
M3x10mm FH/ST HEX Screw x2**108010**
M4x10mm FH/ST HEX Screw x3

31



103005
M4 Nut Lock x2



108006
M3x8mm FH/ST HEX Screw x2



108011
M3x12mm FH/ST HEX Screw x2

BAG F

32



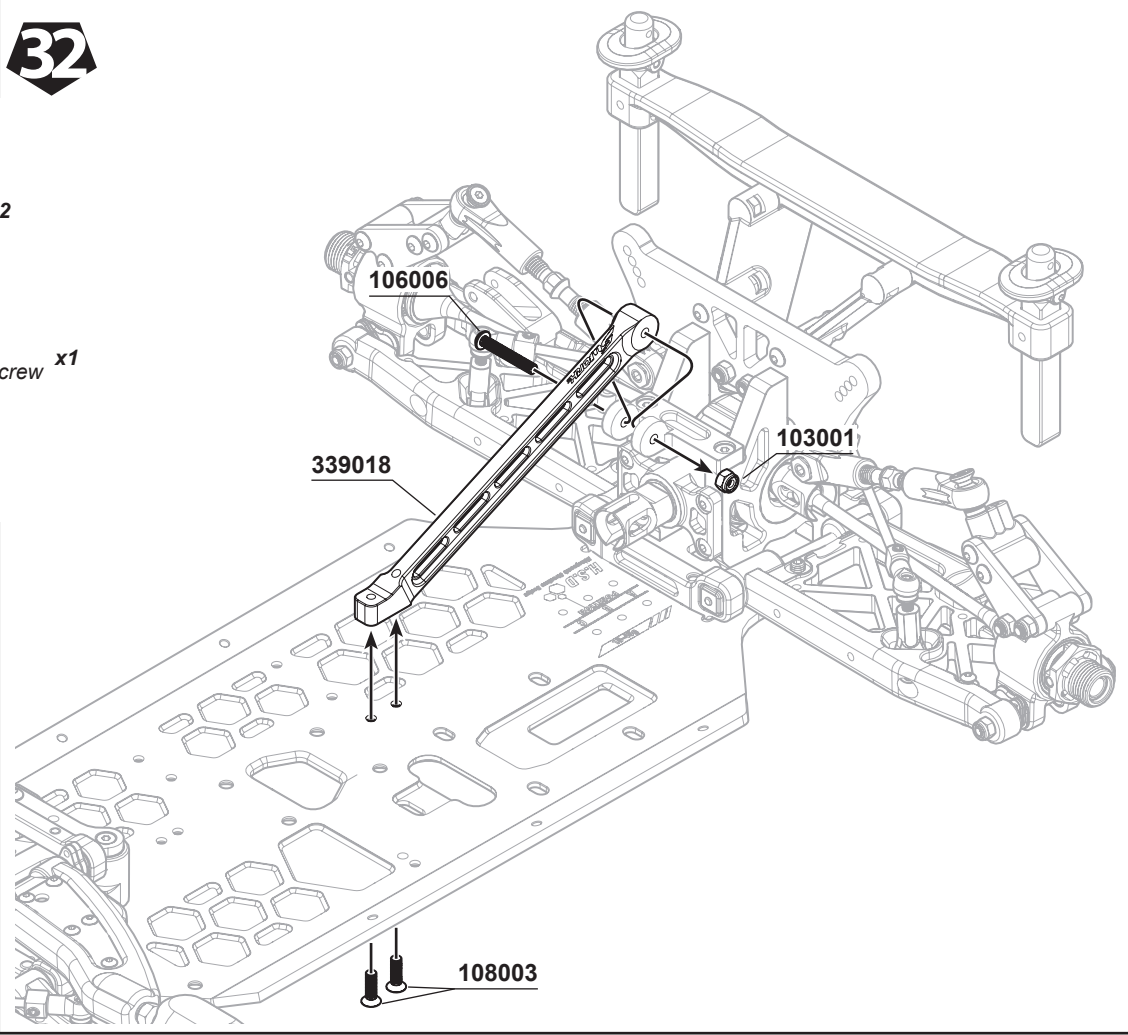
108003
M3x10mm FH/ST HEX Screw x2

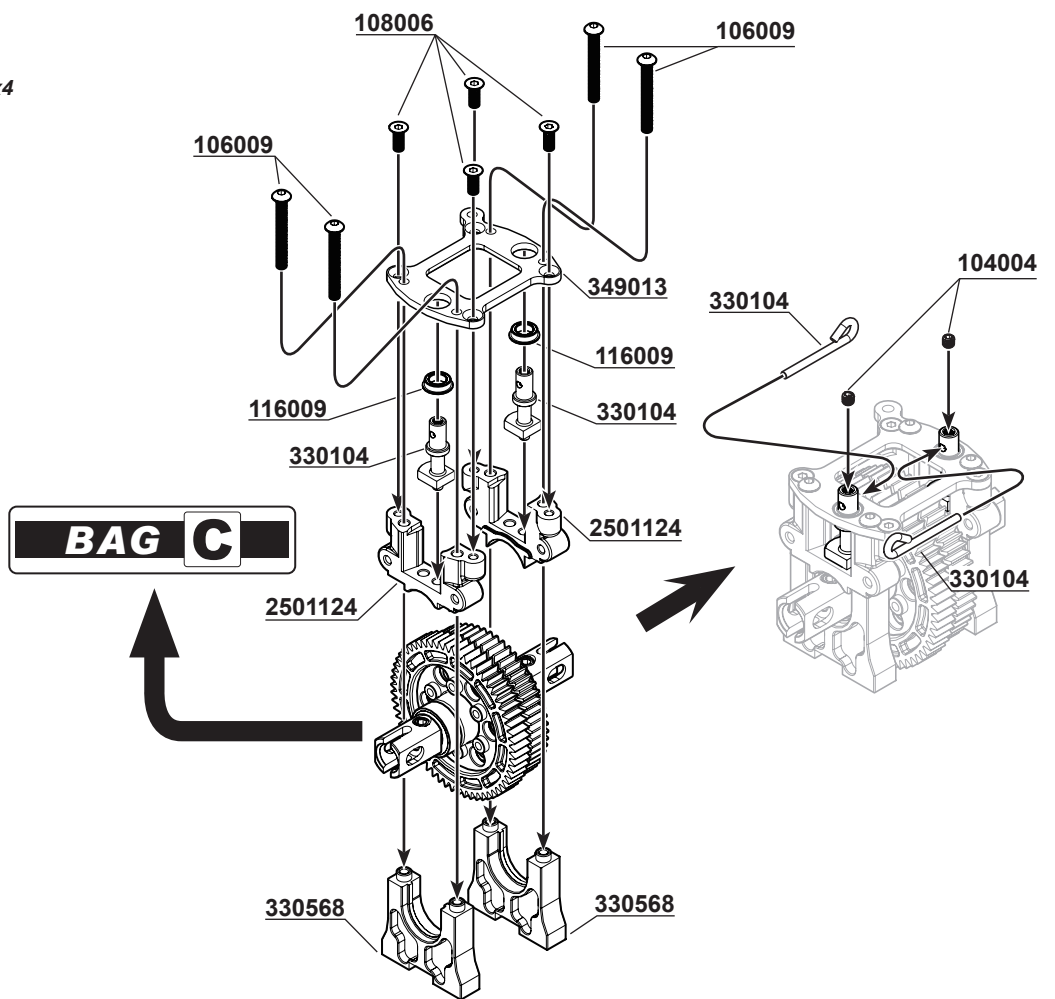
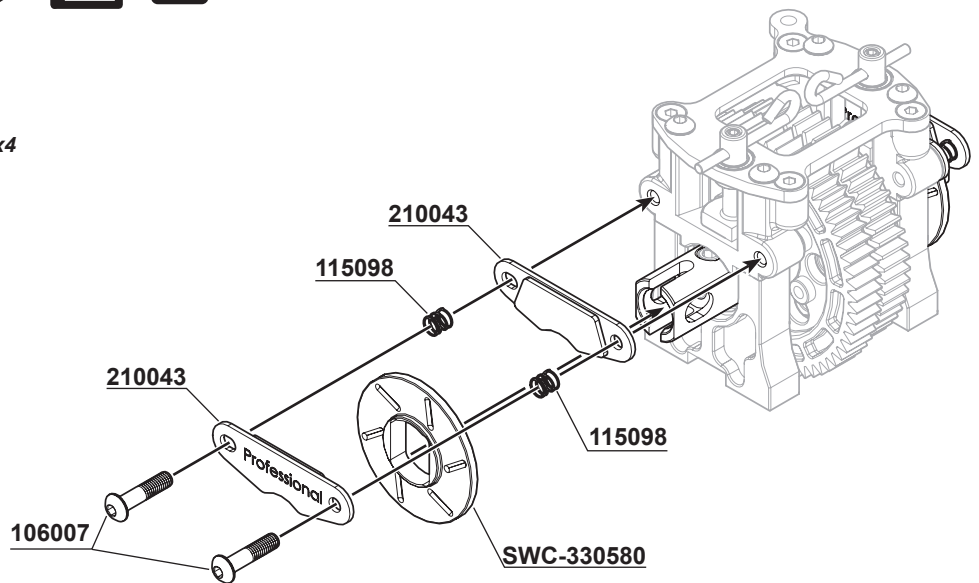


106006
M3x20mm Hex Socket OH/TP Screw x1



103001
M3 Nut Lock x1

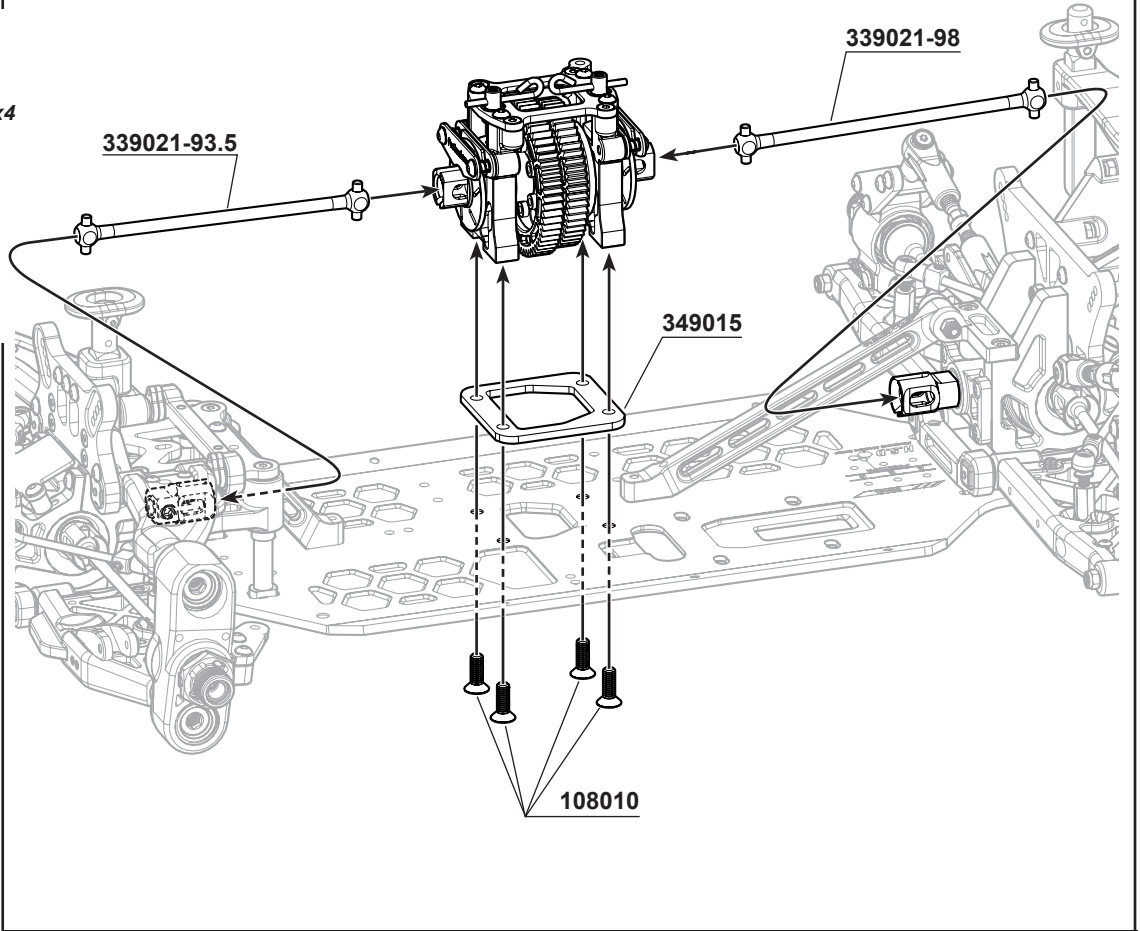


33**106009**
M3x25mm Hex Soket OH/TP Screw x4**108006**
M3x8mm FH/ST HEX Screw x4**104004**
M3x3mm Set Screw x2**116009**
Ball Bearing M5x8x2.5mm x2**BAG F****34****F**
R**x2****106007**
M3x12mm Hex Socket OH/TP Screw x4

35

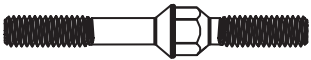


108010
M4x10mm FH/ST HEX Screw x4

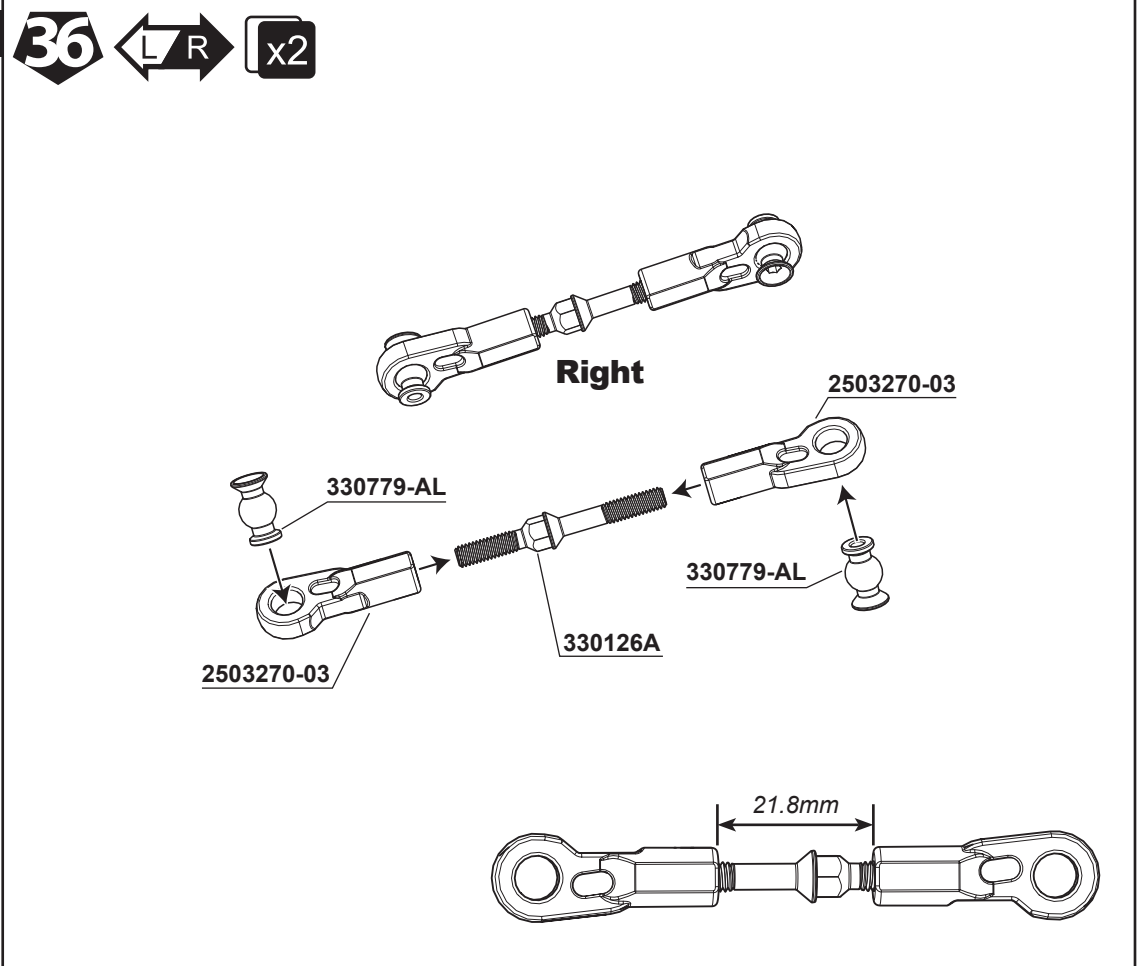


BAG G

36 **L/R** **x2**

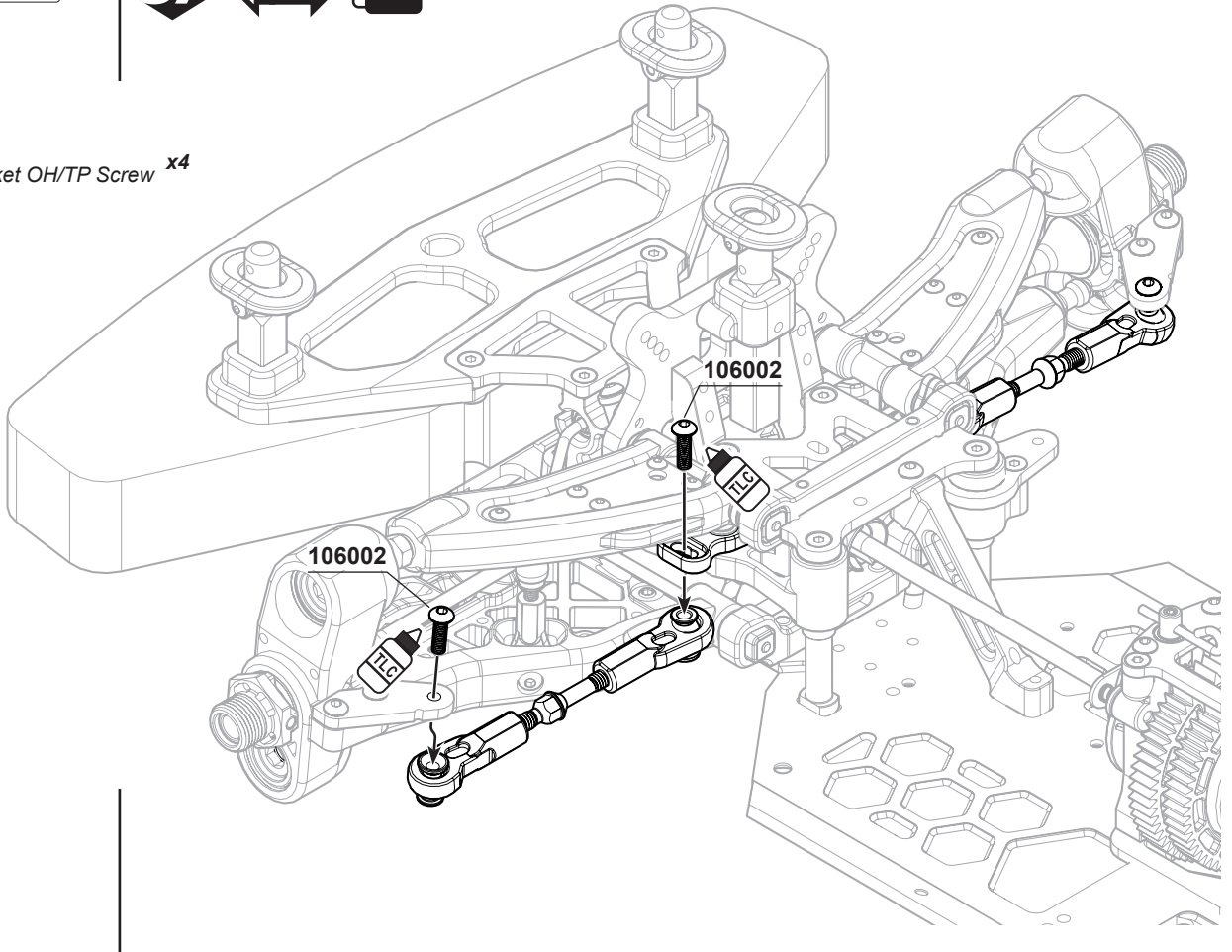


330126A
Steering Turnbuckle x2





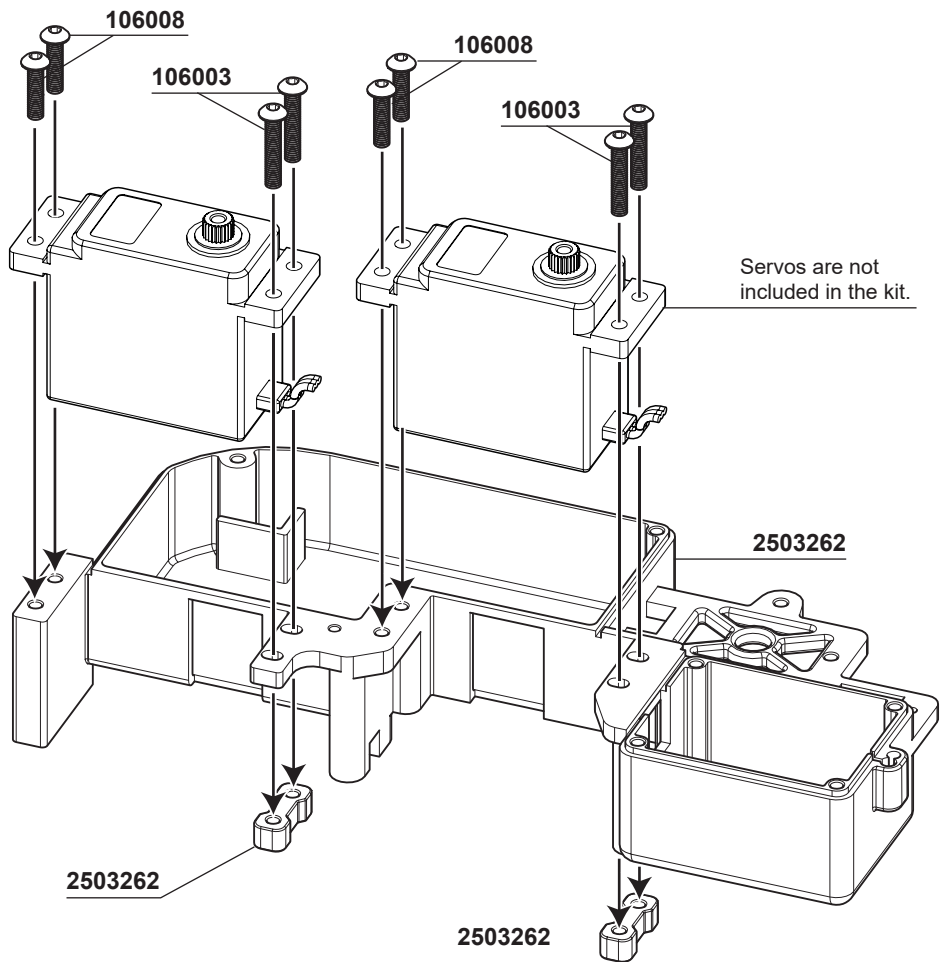
106002
M3x10mm Hex Scket OH/TP Screw **x4**



106008
M3x12mm Hex Socket OH/TP Screw **x4**



106003
M3x16mm Hex Socket OH/TP Screw **x4**



Servos are not included in the kit.

39



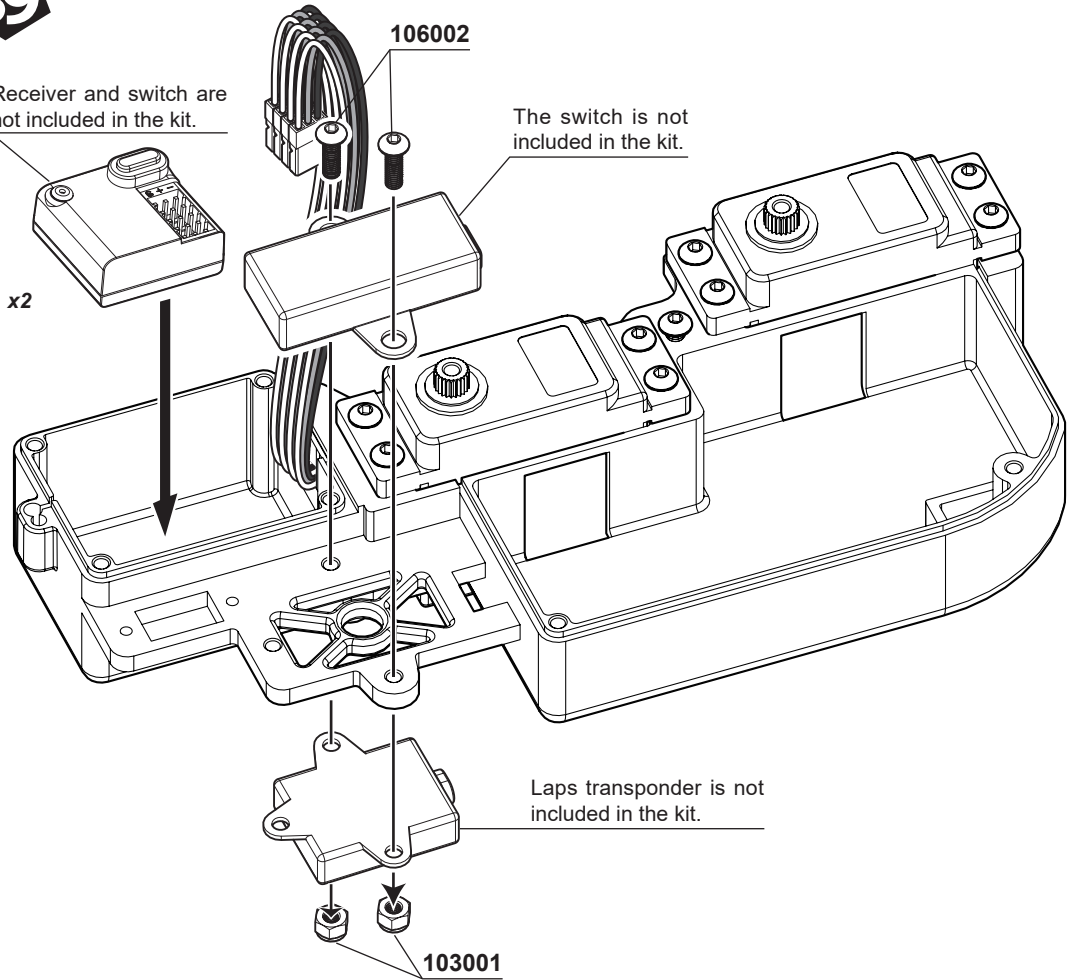
103001
M3 Nut Lock x2



106002
M3x10mm Hex Socket OH/TP Screw x2

Receiver and switch are not included in the kit.

The switch is not included in the kit.



Laps transponder is not included in the kit.

103001

BAG G

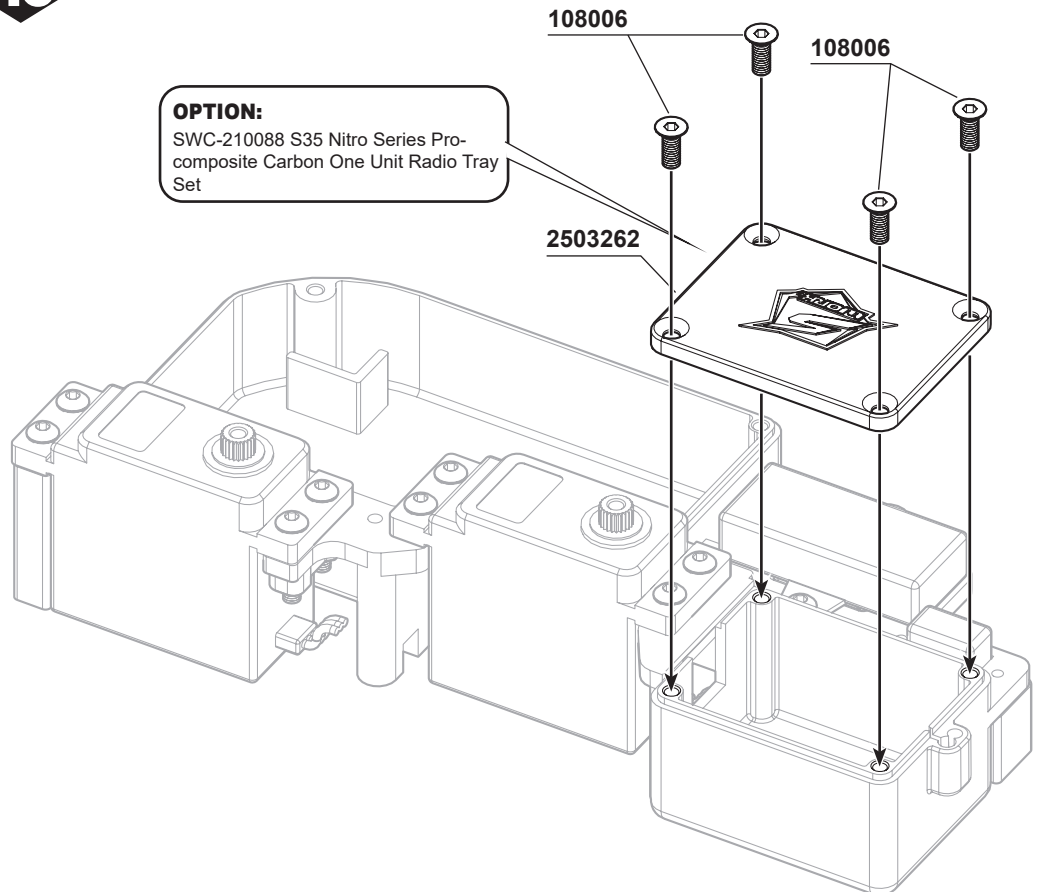
40



108006
M3x8mm FH/ST HEX Screw x4

OPTION:

SWC-210088 S35 Nitro Series Pro-composite Carbon One Unit Radio Tray Set



108006

108006

2503262

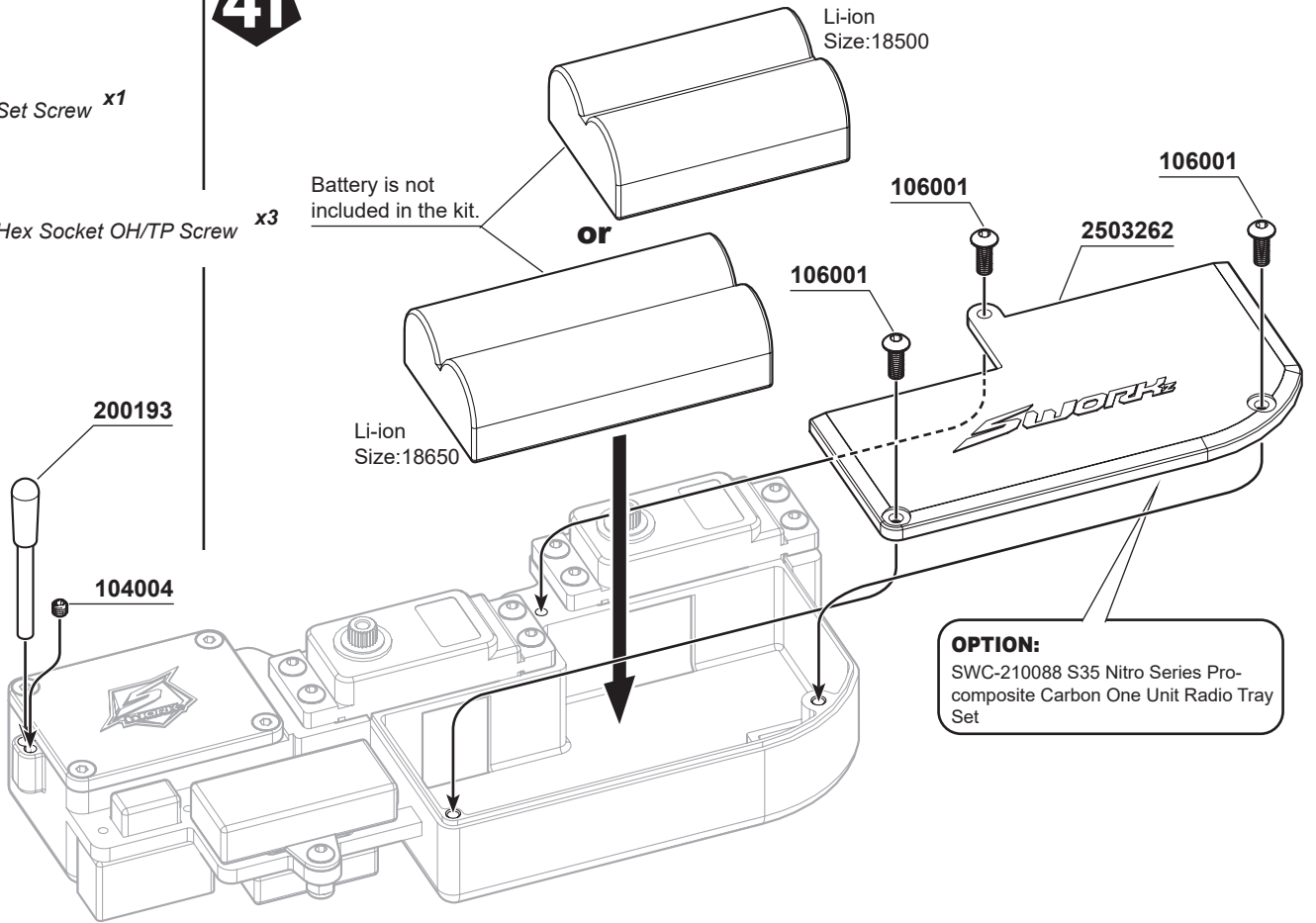
41



104004
M3x3mm Set Screw **x1**



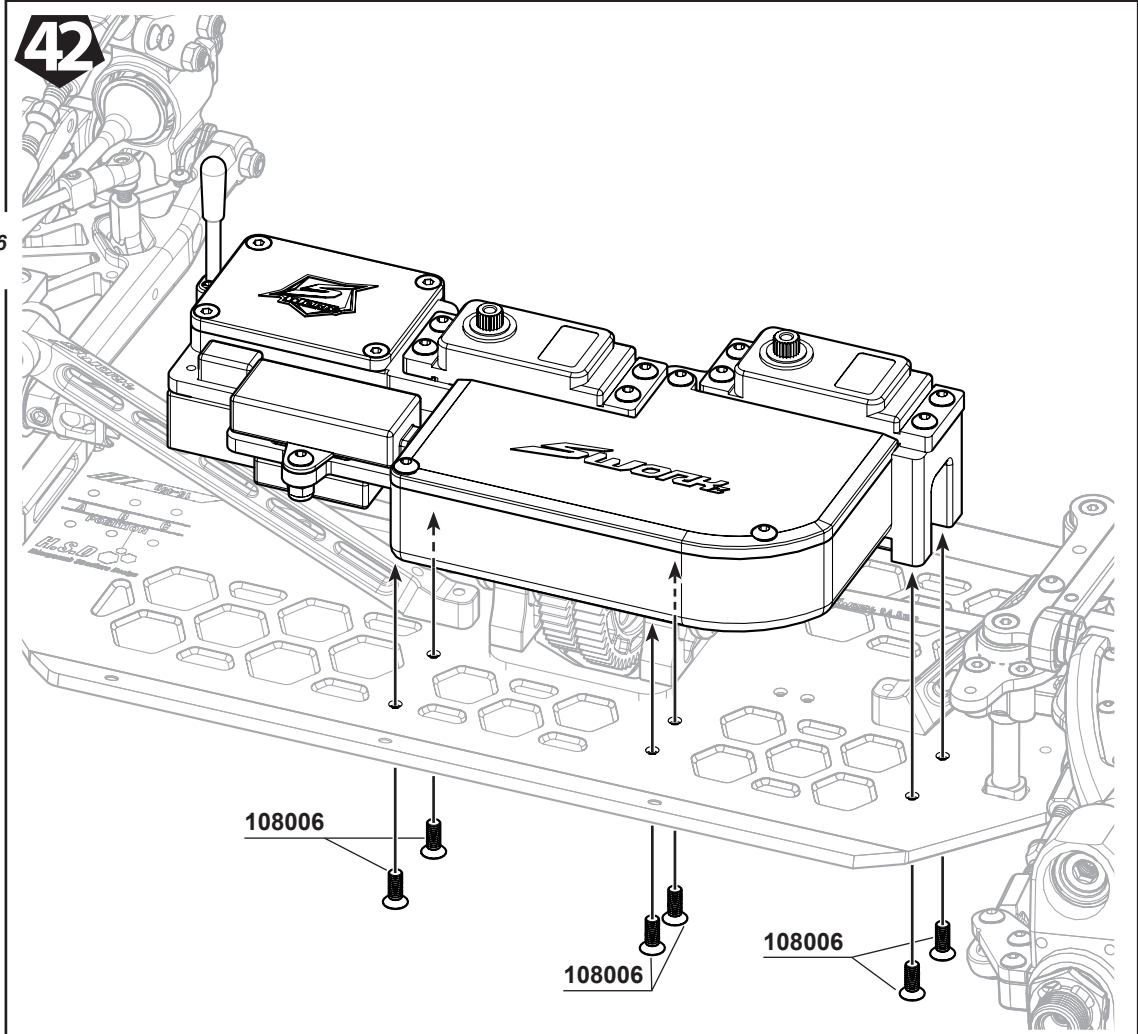
106001
M3x8mm Hex Socket OH/TP Screw **x3**



42



108006
M3x8mm FH/ST HEX Screw **x6**



43

OPTION:

SW-338078-25 SWORKz Uni-Design 2-Way System Aluminum Steering Servo Horn 25T
 SW-338078-23 SWORKz Uni-Design 2-Way System Aluminum Steering Servo Horn 23T



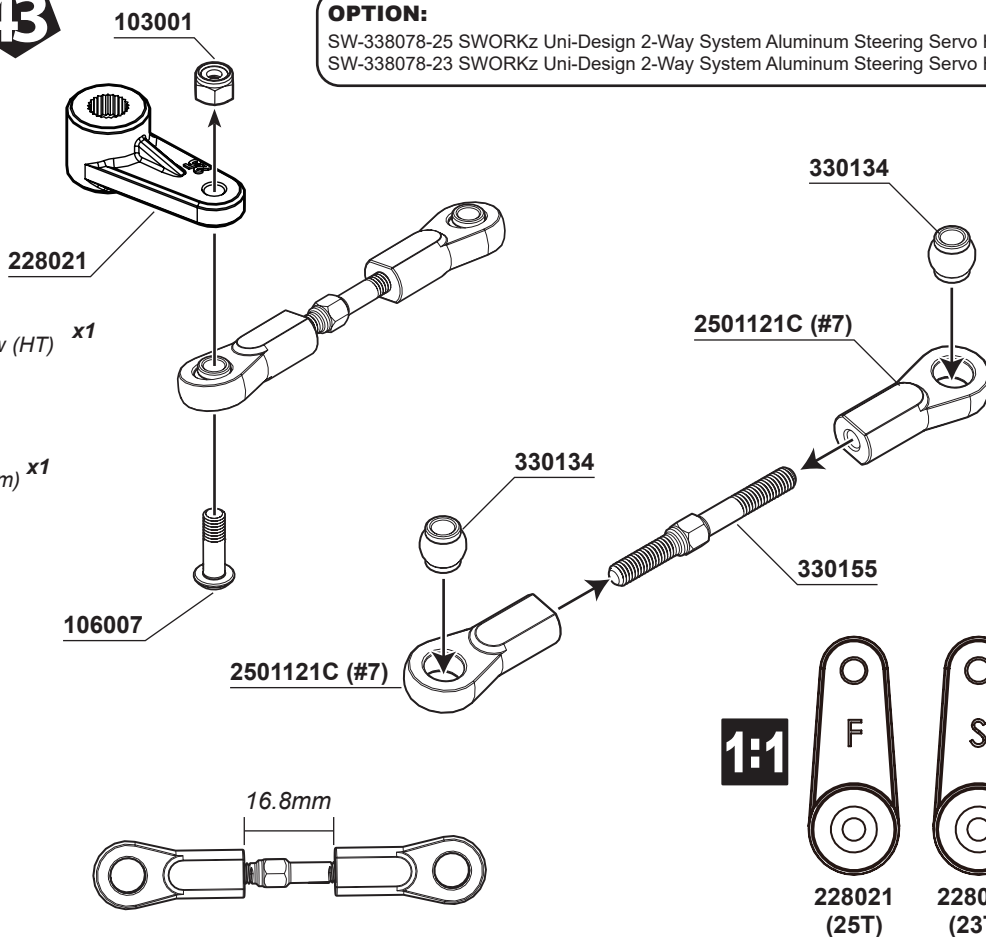
106007
 M3x12mm Hex Socket OH/TP Screw (HT) x1



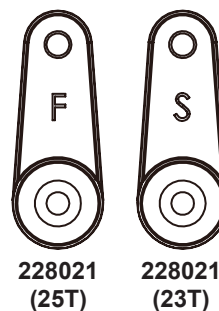
330155
 Steering Servo Turnbuckle (M3x30mm) x1



103001
 M3mm Nut Lock x1



1:1



44



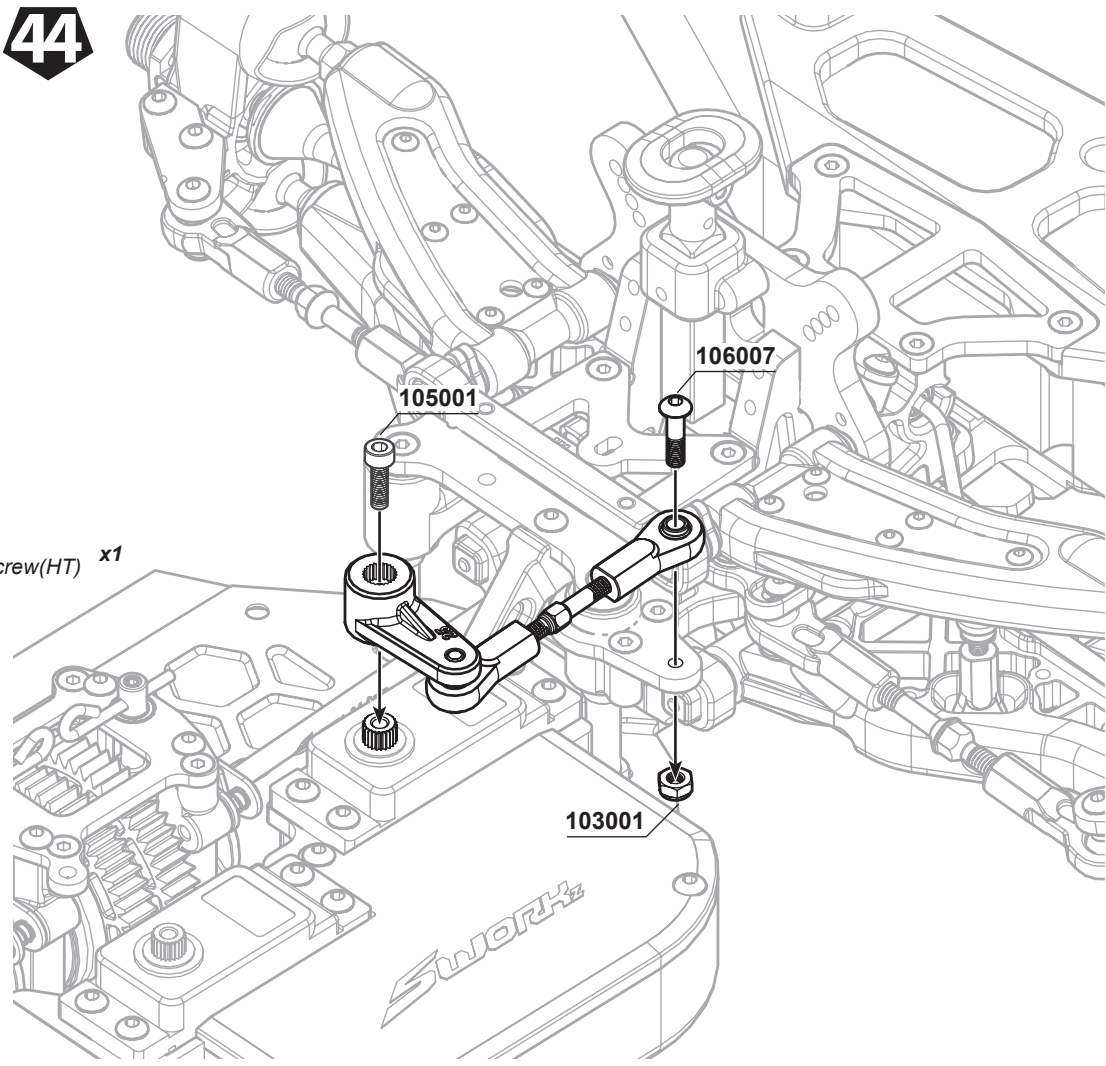
105001
 M3x10mm Cap Screw x1



106007
 M3x12mm Hex Socket OH/TP Screw (HT) x1



103001
 M3 Nut Lock x1





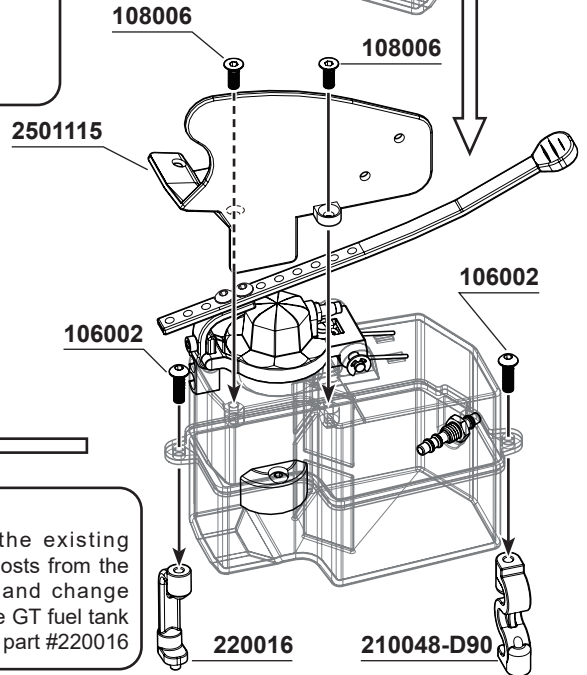
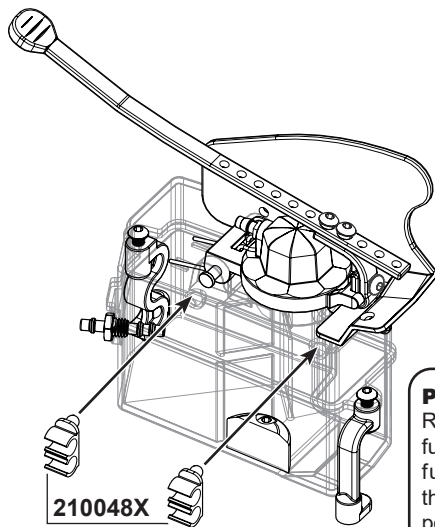
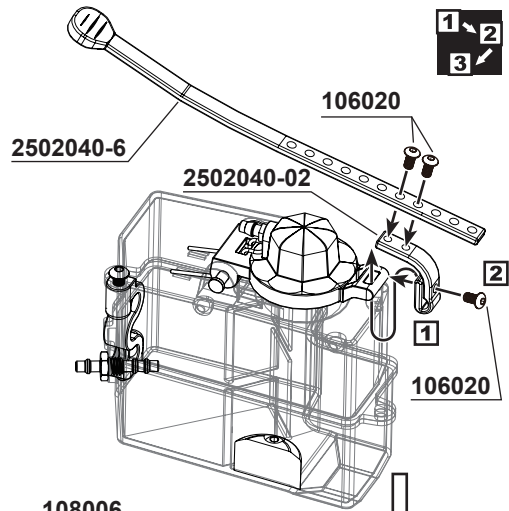
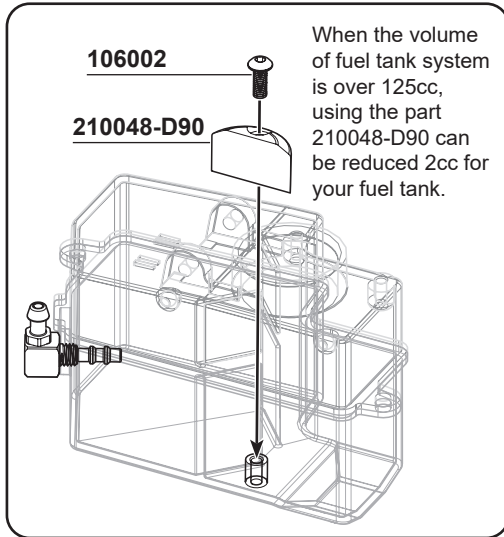
108006
M3x8mm FH/ST HEX Screw x2



106020
M2.5x5mm Hex Socket OH/TP Screw x3



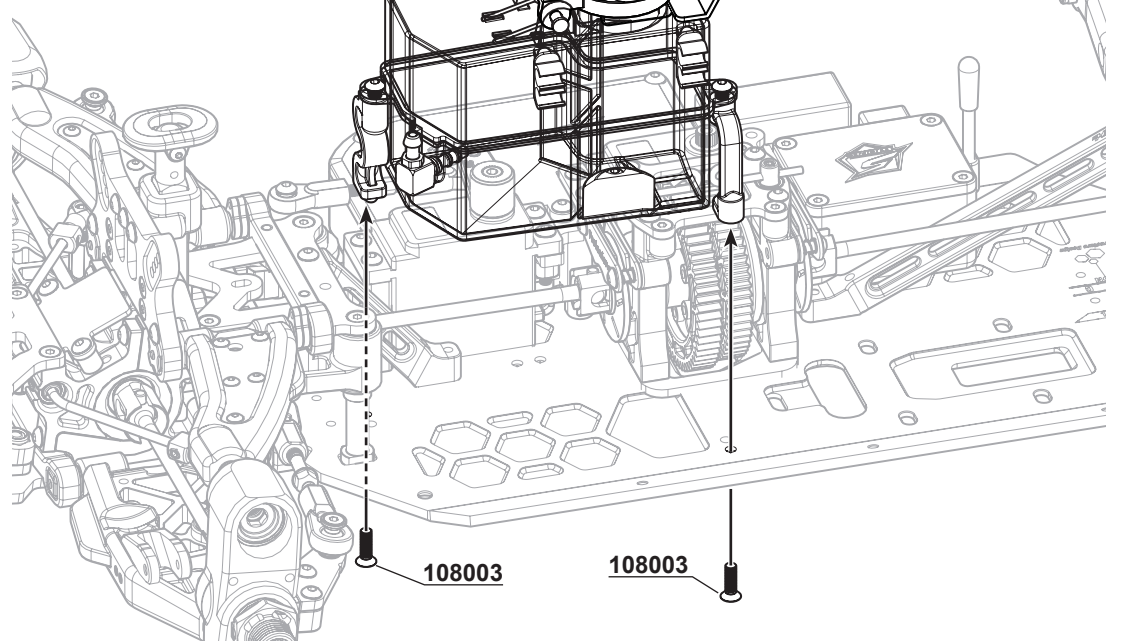
106002
M3x10mm Hex Socket OH/TP Screw x3



PRO TIP:
Remove the existing fuel tank posts from the fuel tank and change them to the GT fuel tank posts from part #220016



108003
M3x10mm FH/ST HEX Screw x2





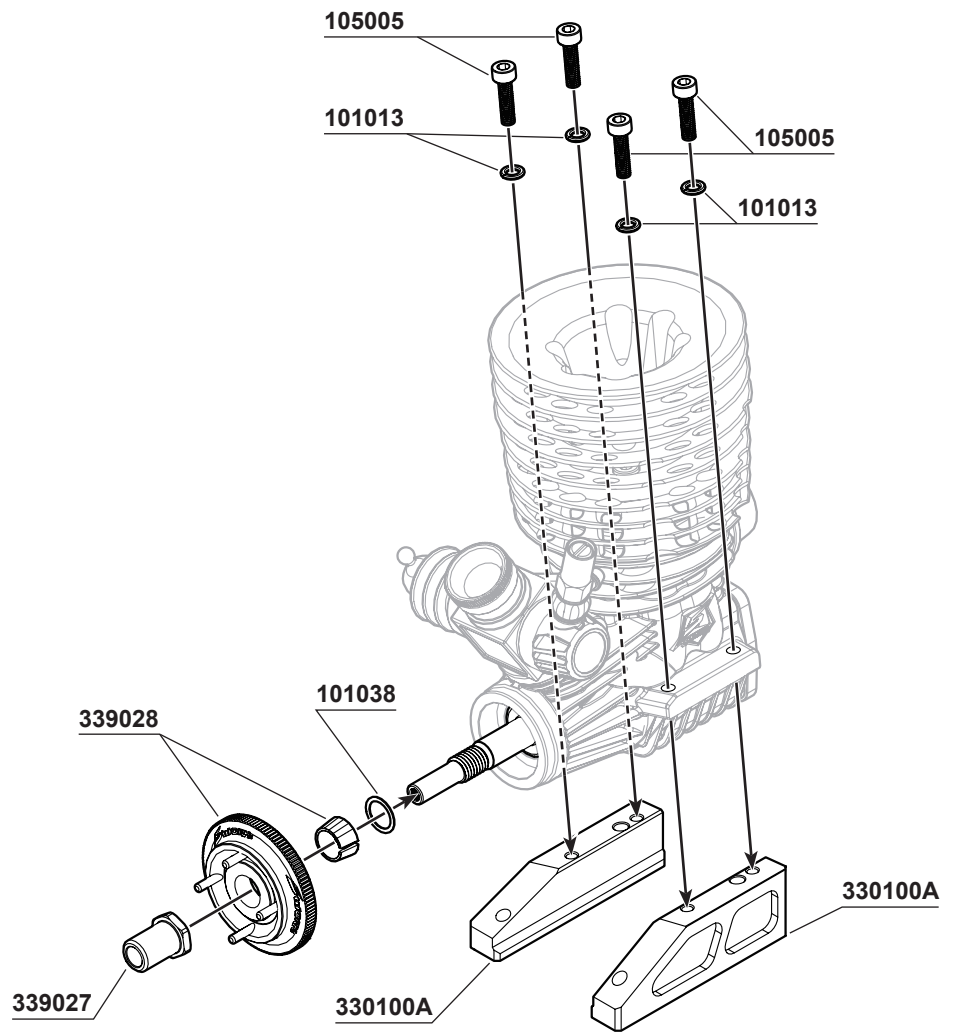
105005
M3x12mm Cap Screw x4



101013
3mm Spring Washer x4



101038
SHIM 7x9x0.3mm x1



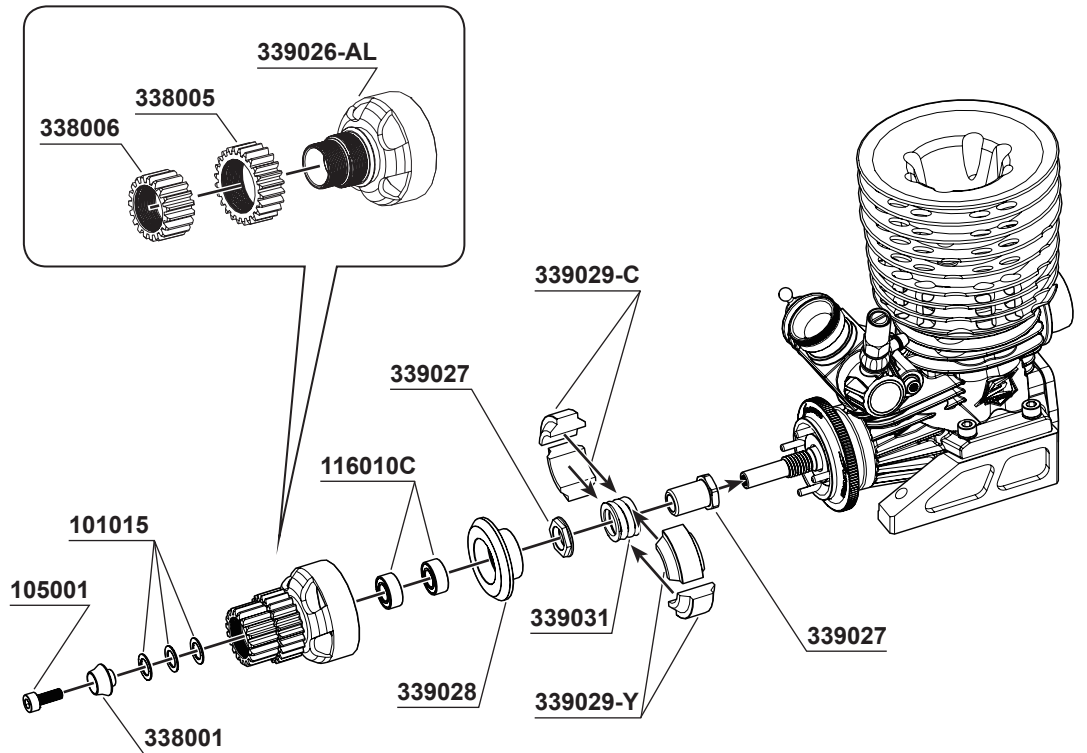
105001
M3x8mm Cap Screw x1



101015
M5x8xT0.4mm x3



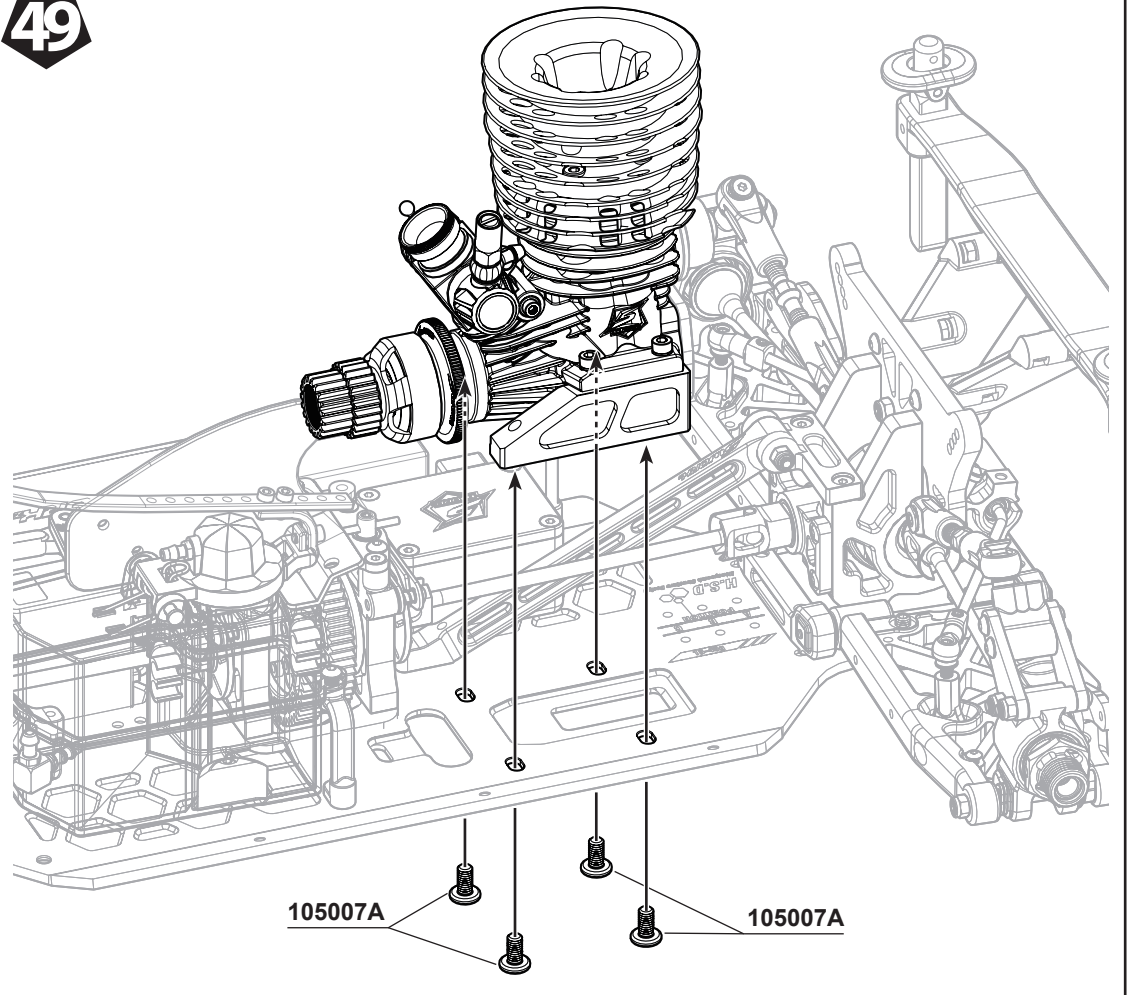
116010C
Ball Bearing 5x10x4mm x2



49



105007A
M4x8mm I-Head Screw x4



105007A

105007A

50

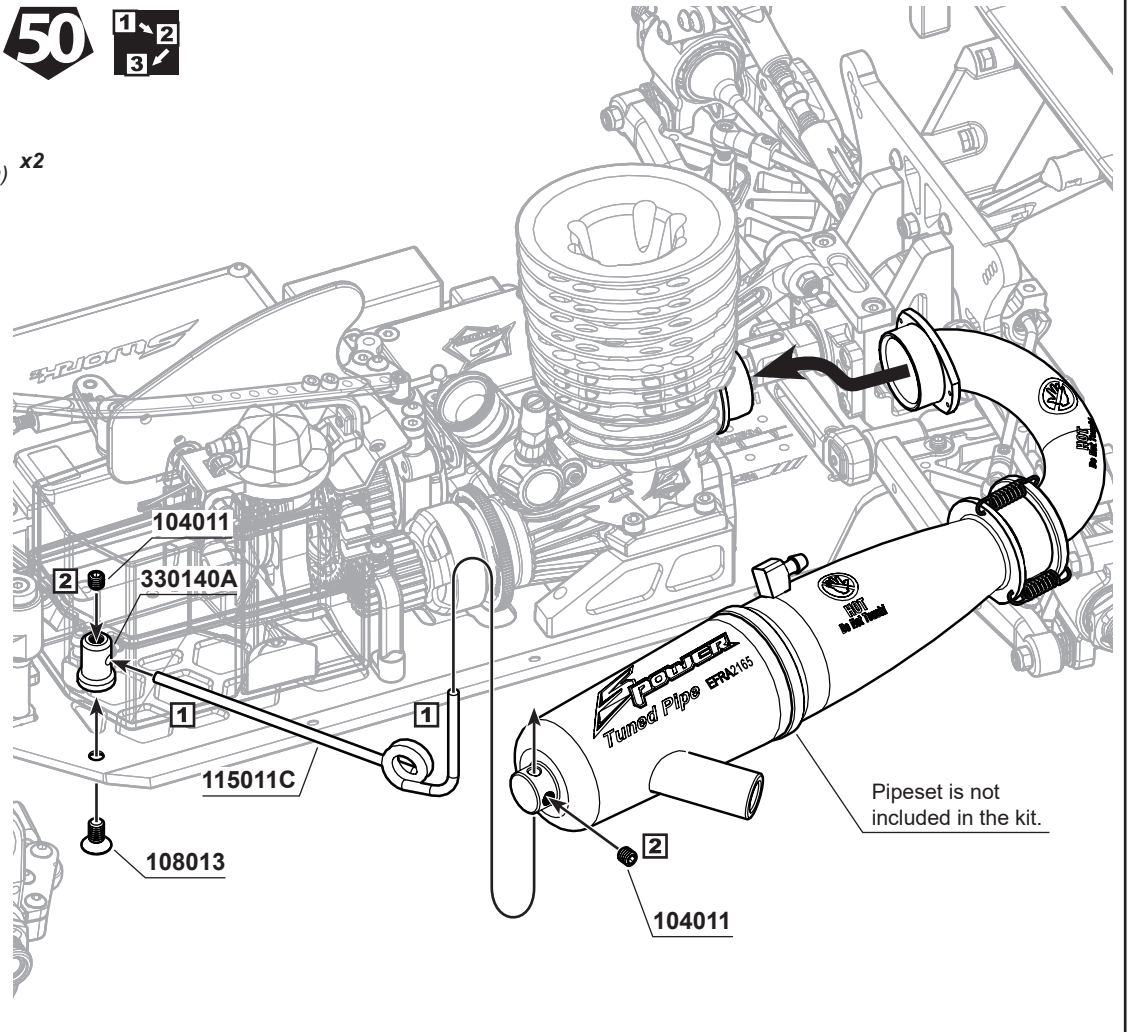
1 2
3



104011
M4x4mm Set Screw (Flat Bottom) x2



108013
M4x8mm FH/ST HEX Screw x1



104011

330140A

115011C

108013

104011

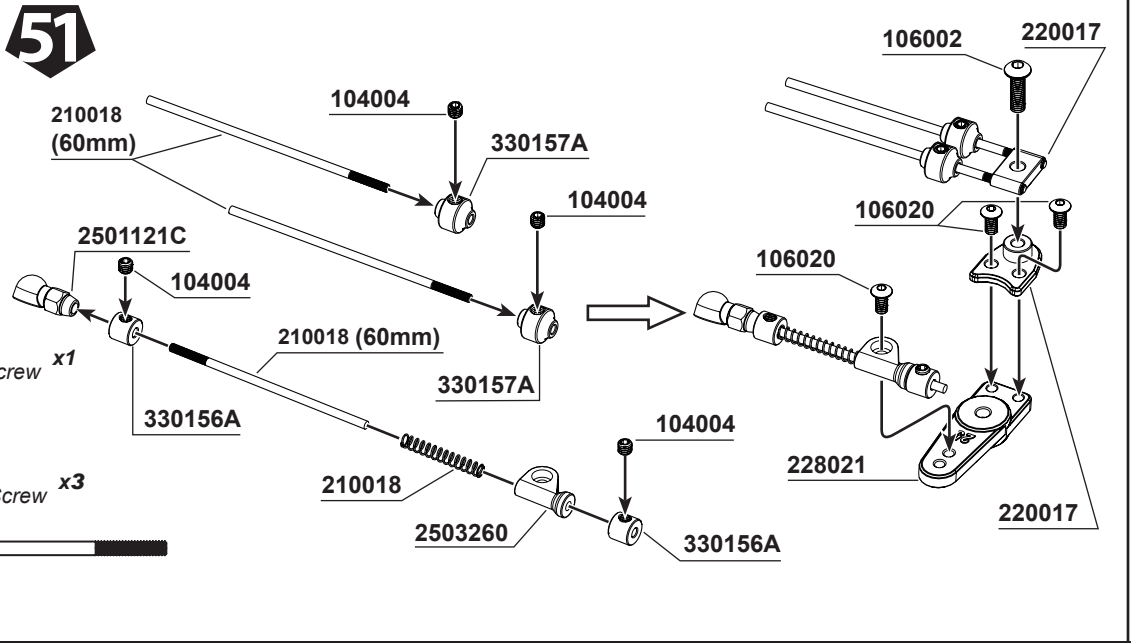
Pipeset is not included in the kit.

104004
M3x3mm Set Screw x6

106002
M3x10mm Hex Socket OH/TP Screw x1

106020
M2.5x5mm Hex Socket OH/TP Screw x3

210018
Brake Rod 60mm x2



210018
Throttle Rod 50mm x1

330156A
Adjuster Knob x4

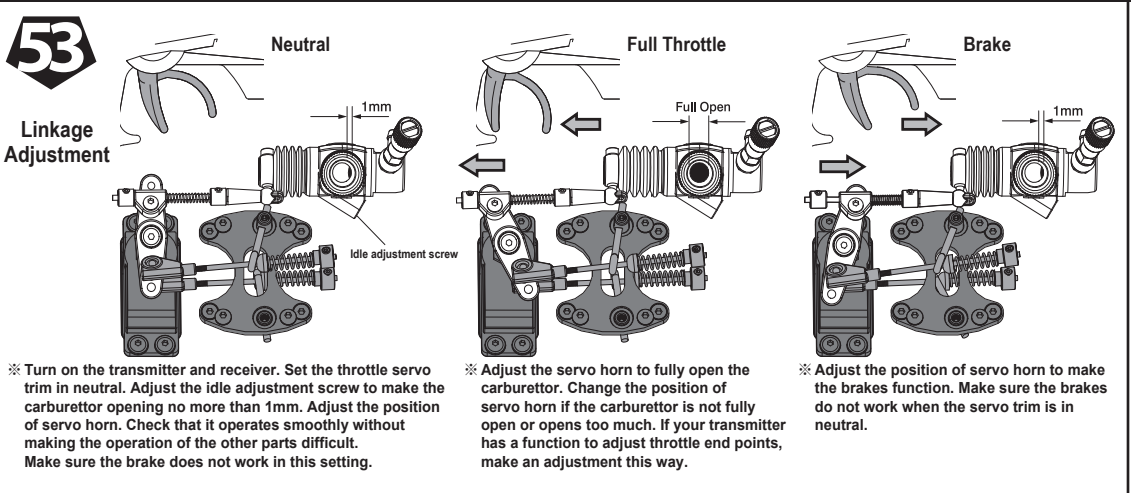
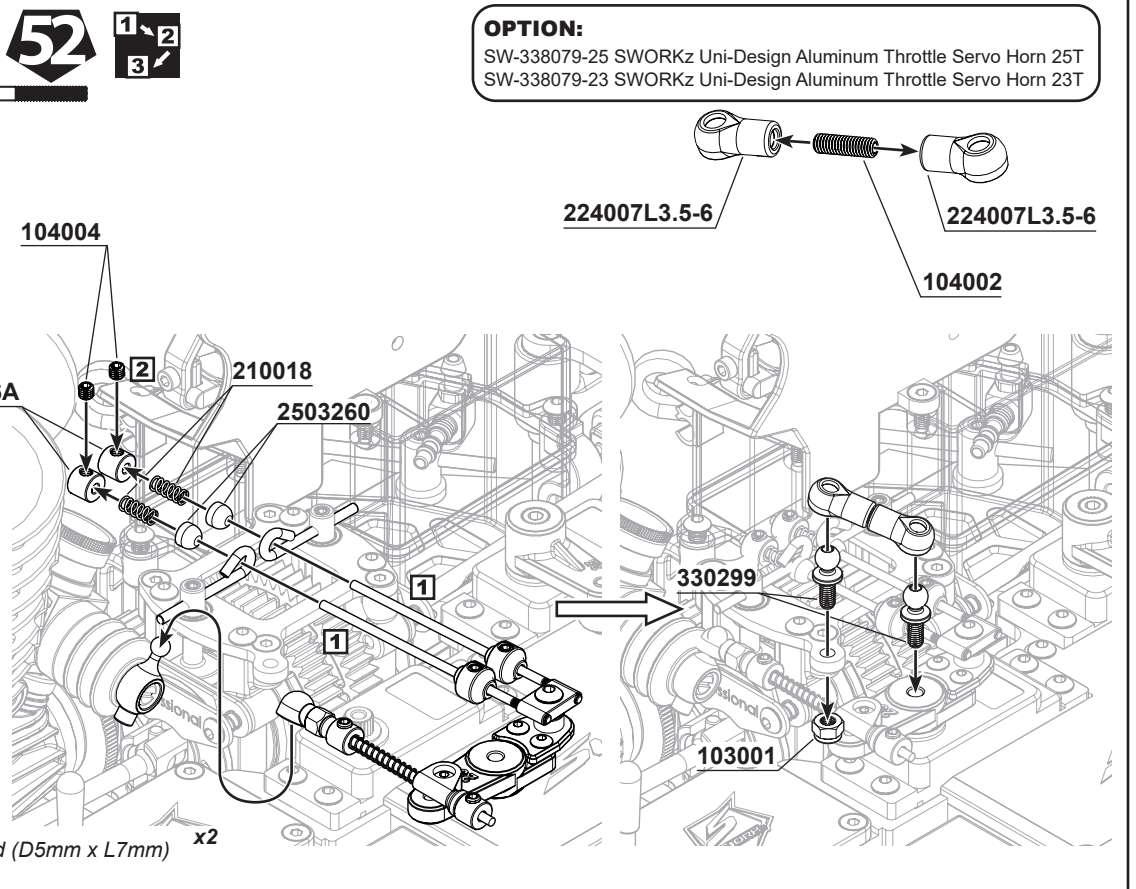
210018
Brake Spring x2

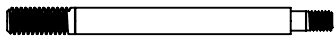
210018
Throttle Rod Spring x1

103001
M3 Nut Lock x1

104002
M3x10mm Set Screw x1

330299
SWORKz 1/10 Linkage Ball Stud (D5mm x L7mm) x2





338099
S35GT BBS System Shock Shaft (F/R) x4

F/R 330798

228016-1.2-8(F)
228016-1.3-8(R)

103004

F/R 338099

228016-Seal

400020

228016-Seal

400006

330557

228006

101011



103004
M2.5mm Nut Lock x4



228016-Seal
Shock Seal Washer 3.5X7X1.0mm x4



228016-Seal
Shock Seal Washer 3.6X7X2.5mm x8



101011
M2.6x6xT0.6mm x4



400006
Shock Seal O-Ring x8



400020
Shock Seal O-Ring x4

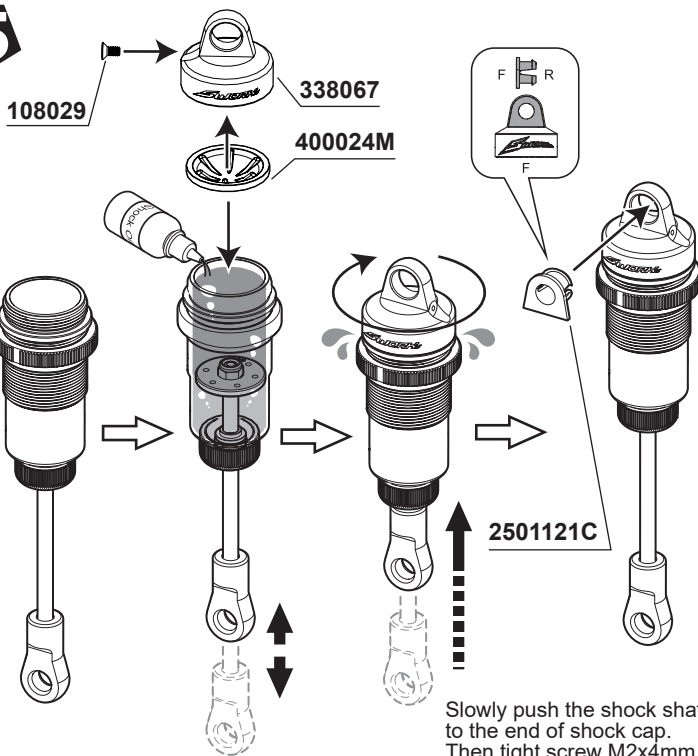


400019
Shock Spring Adjust
Nut O-Ring x4



108029
M2.0x4.6mm FH/ST
HEX Screw (1.5mm HexHead) x4

55



108029

338067

400024M

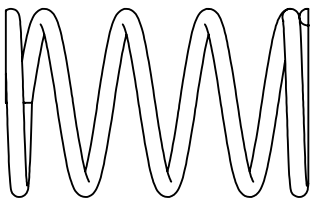


2501121C

21.5 mm

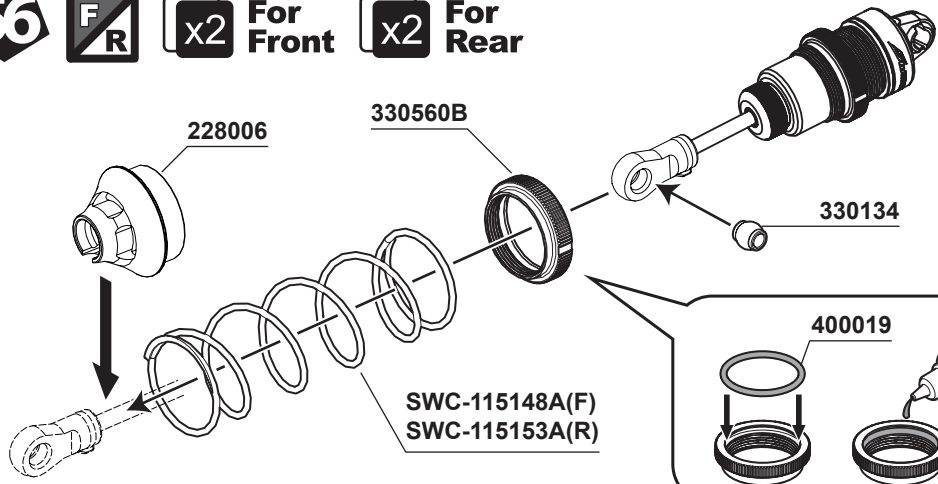
1:1

Slowly push the shock shaft to the end of shock cap. Then tight screw M2x4mm



115148A
S35GT/GT2 Black
Competition Shock Spring
(A2-Dot)(40x2.2x5.25) x4

56



228006

330560B

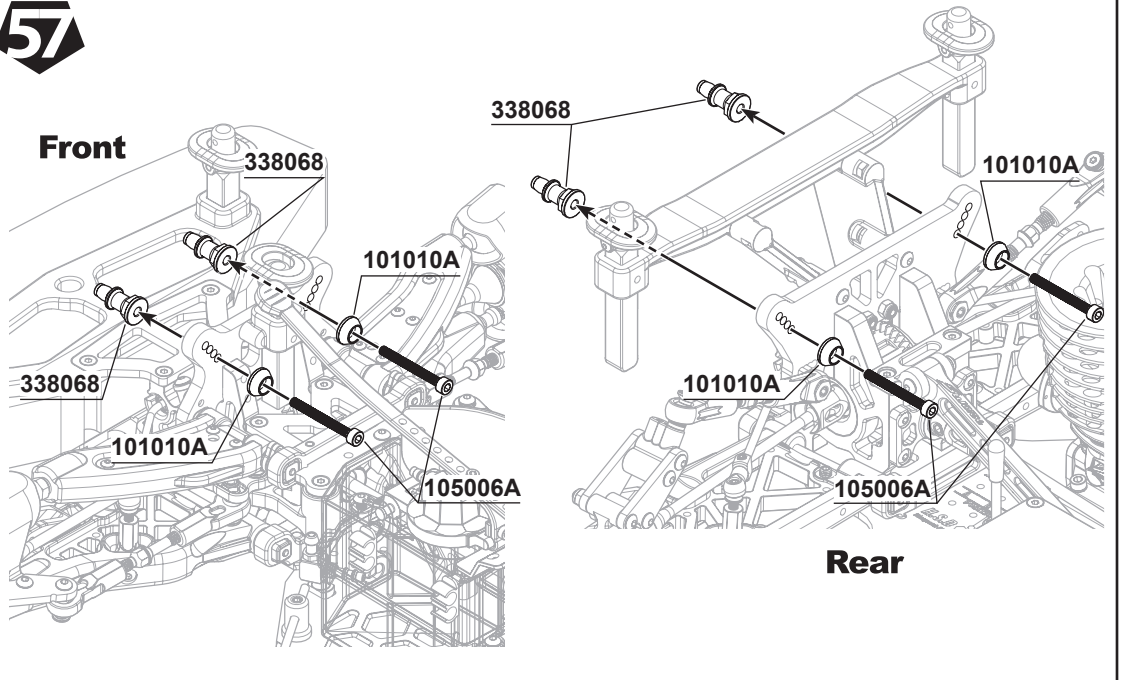
330134

SWC-115148A(F)
SWC-115153A(R)

400019



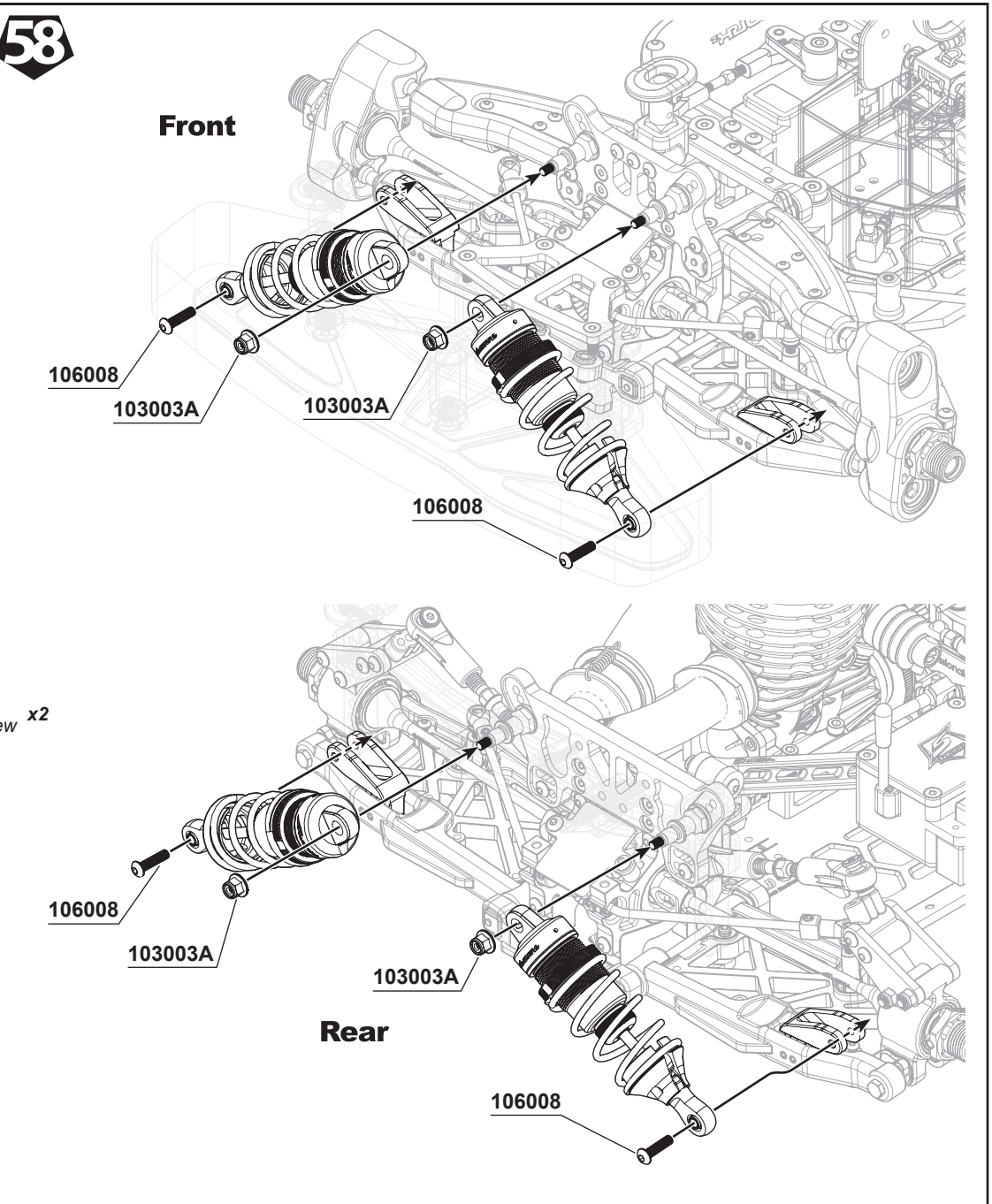
105006A
M3x28mm Cap Screw x4



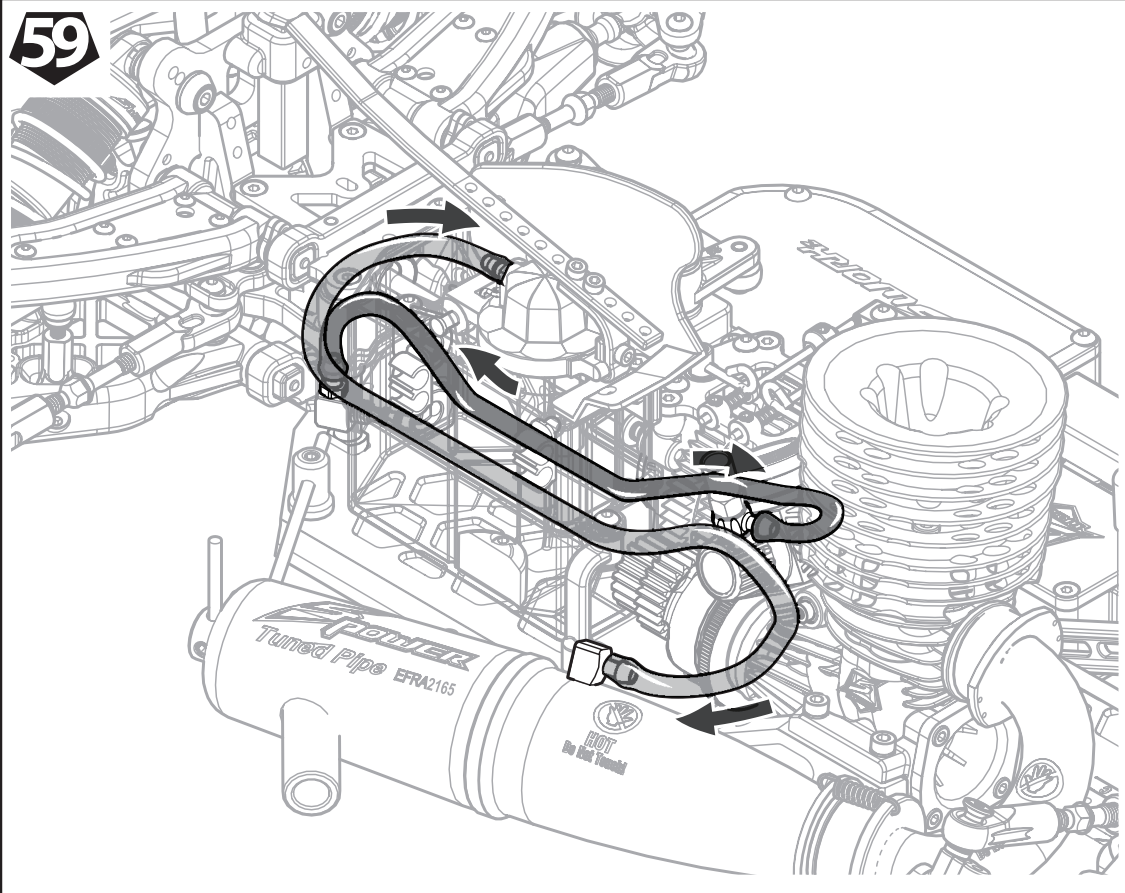
103003A
Flange M3 Nut Lock x4



106008
M3x12mm Hex Socket OH/TP Screw x2



59



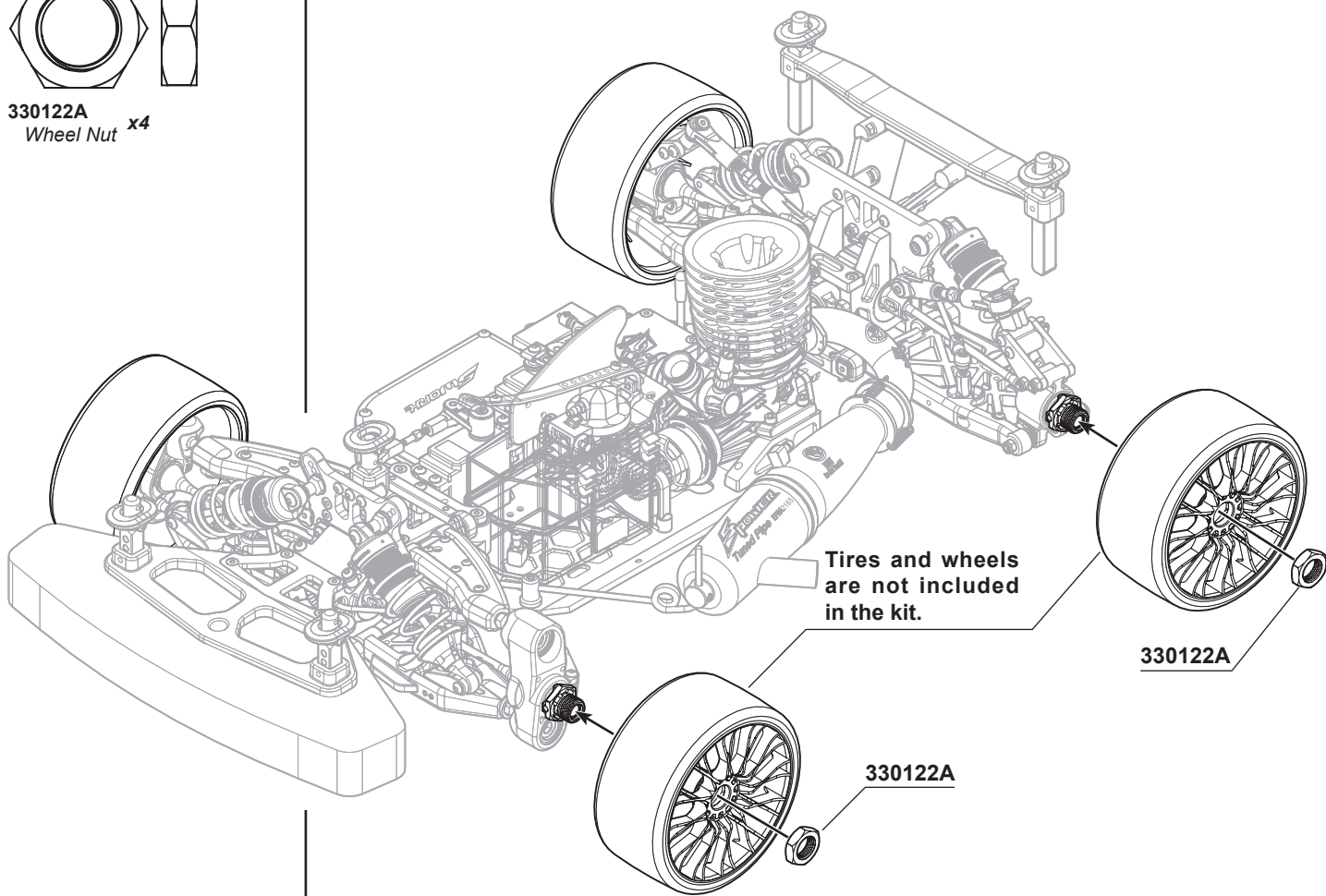
BAG E

60

L R



330122A
Wheel Nut x4



Tires and wheels
are not included
in the kit.

330122A

330122A

61

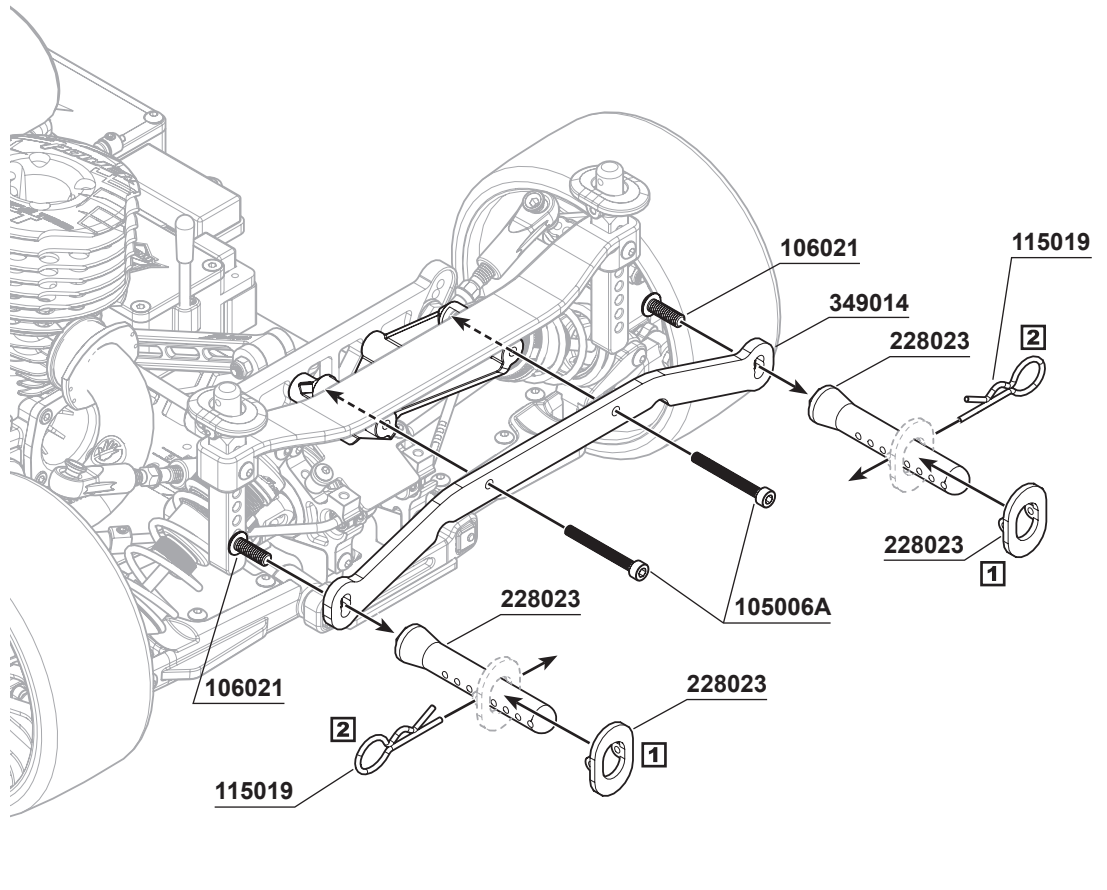
S35-GT2.2 FTE Lay Done Body Shell Rear Posts Assembly Note



105006A
M3x28mm Cap Screw x2

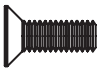


106021
M4x10mm
Hex Socket OH/TP Screw X2

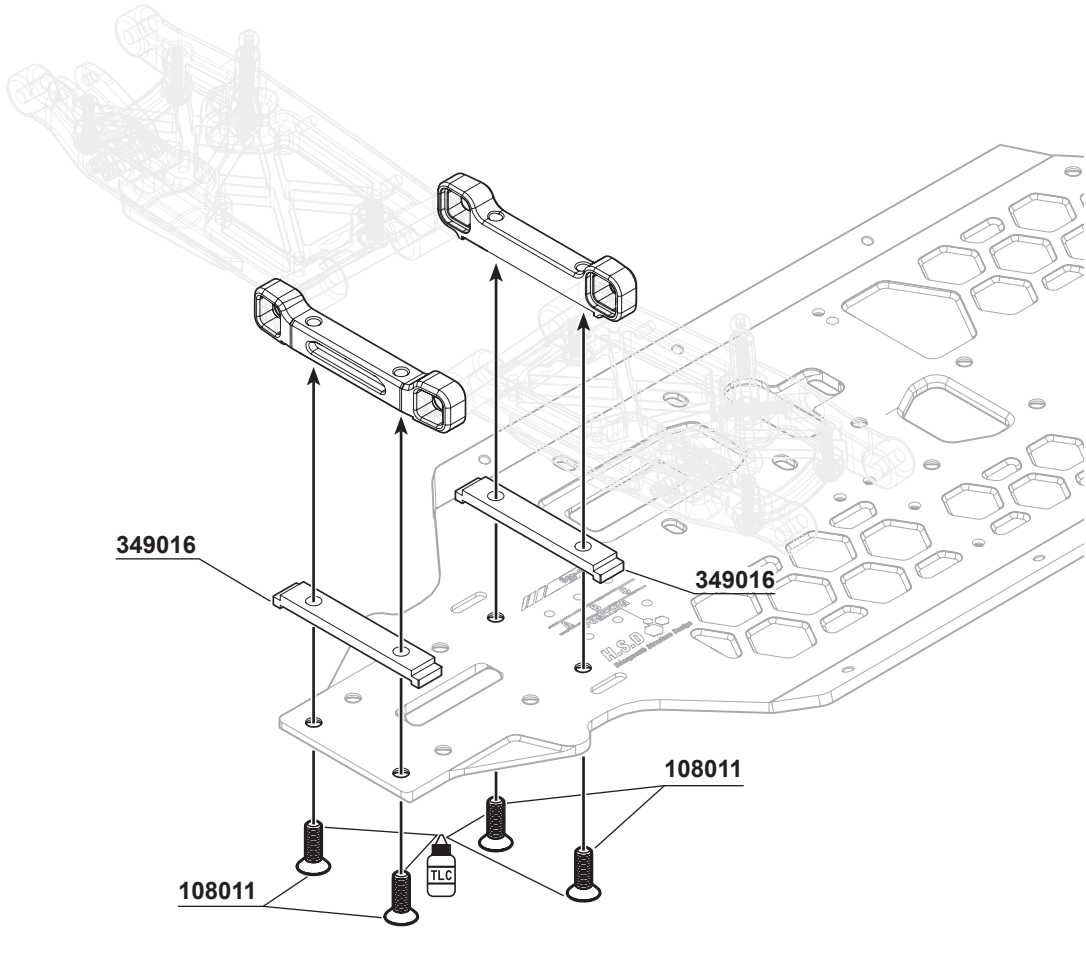


53

S35-GT2.2e FTE Pro-composite Carbon Lower Arm Holder Spacer (3mm) Assembly Note



108011
M4x12mm FH/ST HEX Screw x4



Name: _____
Date: _____
Track: _____

Diff. Oil
Front: _____
Center: _____
Rear: _____

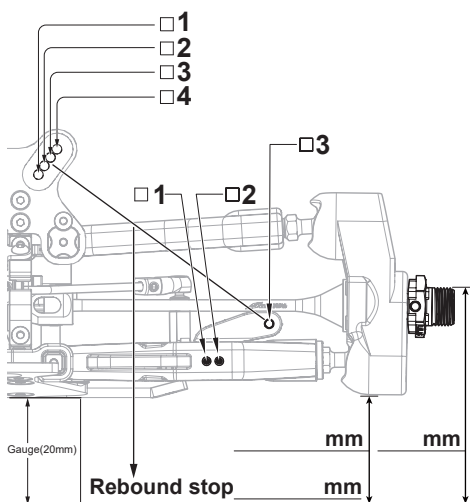
Track Conditions
Size: Open Med. Tight
Traction: High Med. Low
Surface: Smooth Med. Bumpy

Tire
Front Type: _____
Rear Type: _____
Foam: _____
Foam: _____

Clutch
Clutch shoes: _____
Spring: _____ mm
Clutch bell / Spur gear: _____

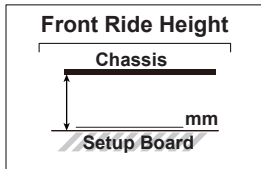
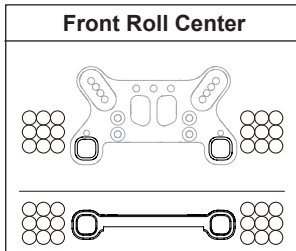
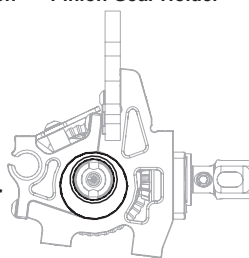
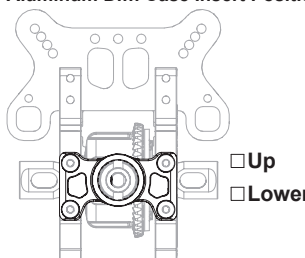
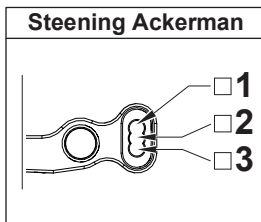
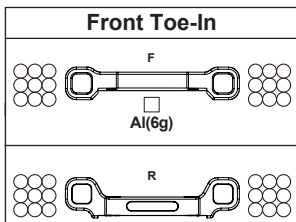
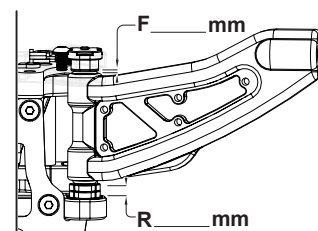
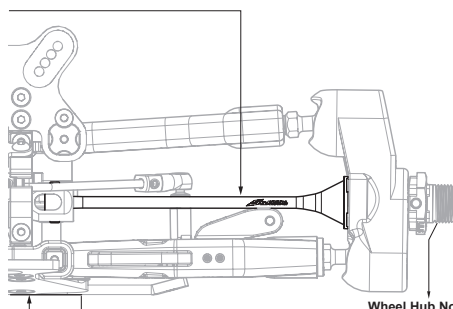
Engine
Type: _____ Muffler: _____
Gasket: _____ mm Fuel: _____
Plug: _____

Front Suspension



- SWC-218007A S35 Series Evolution-CVA Drive Shaft Set 92.5mm
- SWC-218007D S35 Series Advance-CVD Drive Shaft Set 92.5mm
- SW-210046 S350 Series LDS Universal Cross Drive Shaft Set 92.5mm

Camber Angle
L: _____ °
R: _____ °



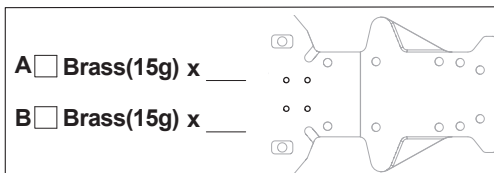
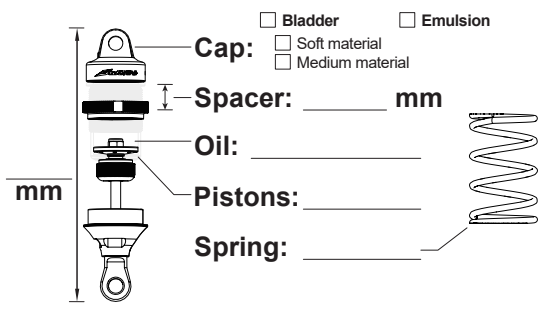
Track width _____ mm

Camber angle Upper _____ mm

Lower _____ mm

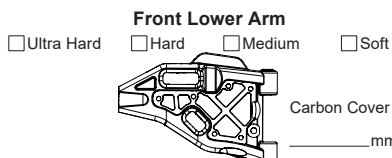
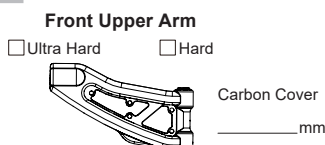
Toe angle _____ °

Sway bar Use _____ mm
 None



Notes:

Option Parts List



Parts No. List

Part No.	Part Name	Q'ty in Use	Item No.	Part No.	Part Name	Q'ty in Use	Item No.
200711H	S35GT Series 2nd Spur Gear 58T(Hard Material)(Made in Italy)	1	SW-200711H	338025	S35-3W Bevel Gear Shaft	6	SW-338025
200713H	S35GT Series 1st Spur Gear 62T(Hard Material)(Made in Italy)	1	SW-200713H	338027	S35-3W Front/Rear Diff. Outdrive	4	SW-338027
2501115	S350 Rear Lower Arm Dusty Cover with Fuel Sprinkle Guard	1	SW-2501115	338034	S35-3 Series Lightened Aluminum Front Chassis Shorty Brace	1	SW-338034
2501124	S350 Center Diff. Mount Set	2	SW-2501124	338056	S35-4 Series Lower Arm Hinge Pin (68.5mm)	4	SW-338056
2501121C	S35/S350 Series Ball End Set with Shock Plastic Parts	2	SW-2501121C	338067	S35-4 Series Emulsion/Bladder 2 Ways System Shock Cap	4	SW-338067
2501667-6	S35-GT2.2 FTE Sway Bar Ball End (Long)(2PC)	4	SW-2501667-6	338068	S35-4 Series T7 Aluminum Shock Stud (L)	4	SW-338068
2502040-02	S350T Body Mount with Fuel Tank Ring-pull	1	SW-2502040-02	338070A	S35 Series Rear Upper Arm Aluminum Ball Stud	2	SW-338070A
2503260-01	S353 Series Plastic Wheel Hub Inserts Set	1	SW-2503260	338075	S35-4 Series T7 Aluminum Rear Wheel Hub (R=L)	2	SW-338075
2503260-02	S35-3 Series Plastic Arm Inserts Set	1	SW-2503260	338080	S35 Series Lightened Wheel Hub for 8mm Axil (L5.5mm)	4	SW-338080
2503260-04	S35-3 Series Plastic Knuckle Inserts Set	1	SW-2503260-04	338099	S35GT/GT2 Series Teflon Coated Durable Shock Shaft (45.5mm)	4	SW-338099
2503262	S35-3 Nitro Buggy Radio Tray Set	1	SW-2503262	338101	S35-GT2 Series Aluminum Rear Upper Arm Linkage Holder	2	SW-338101
2503264A	S35-3 Series Front Steering Knuckle (Type 2.0) L	1	SW-2503264A	339001	S35-GT2 Aluminum Shock End Extension Holder (GM)	4	SW-339001
2503270-2	S35-3 Series Rear Upper Arm Outside Ball Ends 4	2	SW-2503270-2	339003RL	S35-GT2.2 FTE Aluminum Rear Diff Case (R/L)	1	SW-339003RL
2503270-3	S35-3 Series Front Steering Ball Ends	2	SW-2503270-3	339003RR	S35-GT2.2 FTE Aluminum Rear Diff Case (R/R)	1	SW-339003RR
220015	SWORKz 1/8 S35GT/E Bumper Set	1	SW-220015	339004A	S35-GT2.2 FTE Aluminum Front & Rear Diff Case Holder (A)(F&R)	1	SW-339004A
220016	SWORKz 1/8 S35GT/E Wing Mount Set	1	SW-220016	339004B	S35-GT2.2 FTE Aluminum Front & Rear Diff Case Holder (A)(F&R)	1	SW-339004B
220017	SWORKz 1/8 S35GT/E Plastic Body Post and Mount Set	1	SW-220017	339005	S35-GT2.2 FTE Nitro Series Aluminum Lightened Main Chassis	1	SW-339005
228001DG	S35-4 All Series Plastic Inserts Set (Durable)(Gray)(2 Sets)	2	SW-228001DG	339006	S35-GT2.2 FTE Series Aluminum Diff. Case Insert (L/H)	4	SW-339006
228005UH-F	S35-GT2 Series Front Lower Arm in Ultra-Hard Material(1PC)	2	SW-228005UH-F	339007FL	S35-GT2.2 FTE Series Aluminum Front Diff Case (F/L)	1	SW-339007FL
228015U	SWORKz S35-4 Series Arched-Bridge-System Rear Lower Arm Set (Ultra-Hard)(1PC)	2	SW-228015U	339007FR	S35-GT2.2 FTE Series Aluminum Front Diff Case (F/R)	1	SW-339007FR
228006	S35 Series Shock End/Body Mount/Ball Ends Set	2	SW-228006	339008	S35-GT2.2 FTE Series Sway Bar Holder	4	SW-339008
228006-5	S35 Series Rear Upper Arm Linkage Ball End (S)	4	SW-228006-5	339009	S35-GT2.2 FTE Series Pinion Gear Holder (L/H)	2	SW-339009
228009UH	S35-GT2 Front Upper Arm & Linkage Parts in Ultra Hard Material (2 Sets)	2	SW-228009UH	339010	S35-GT2.2 FTE Series Aluminum Front Lower Arm Plate (FF)	1	SW-339010
228021	SWORKz 1/8 Steering and Throttle Servo Horn Set	1	SW-228021	339011	S35-GT2.2 FTE Series Aluminum Front Lower Suspension Holder (FR)	1	SW-339011
228016-1.2-8	SWORKz 1/8 BBS Precision Plastic Shock Piston(1.2X8Holes)	2	SW-228016-1.2-8	339012	S35-GT2.2 FTE Series Aluminum Rear Lower Arm Plate (RF)	1	SW-339012
228016-1.3-8	SWORKz 1/8 BBS Precision Plastic Shock Piston(1.3X8Holes)	2	SW-228016-1.3-8	339013	S35-GT2.2 FTE Series Aluminum Rear Lower Suspension Holder (RR)	1	SW-339013
228016-Seal	SWORKz 1/8 BBS Precision Plastic Shock Seal Part (2 Sets)	2	SW-228016-Seal	339014	S35-GT2.2 FTE Series Aluminum Front Upper Arm Suspension Holder (UFR)	1	SW-339014
224007L3.5-6	SWORKz 1/10 Plastic Ball End XS (5.5mm)	6	SW-224007L3.5-6	339015	S35-GT2.2 FTE Series Aluminum Steering Plate	1	SW-339015
218007D	S35 Series Advance-CVD Drive Shaft Set 92.5mm(1 Sets)	2	SWC-218007D	339016L	S35-GT2.2 FTE Series Aluminum Steering Bellcrank Shaft Part-L	1	SW-339016L
218007DS	S35-GT2.2 FTE Series Advance-CVD Drive Shaft Set 91mm	2	SWC-218007DS	339016R	S35-GT2.2 FTE Series Aluminum Steering Bellcrank Shaft Part-R	1	SW-339016R
210043	S350 Professional Matel Brake Calipers 2.0 A Side	2	SW-210043	339017	S35-GT2.2 FTE Series Aluminum Rear Chassis Brace A	1	SW-339017
210043	S350 Professional Matel Brake Calipers 2.0 B Side	2	SW-210043	339018	S35-GT2.2 FTE Series Aluminum Rear Chassis Brace	1	SW-339018
210018	Brake Spring	2	SW-210018	339020	S35-GT2.2 FTE Series Servo Saver Shaft	2	SW-339020
210018	Throttle Rod 50mm	1	SW-210018	339021-93.5	S35-GT2.2 FTE Series Steel Material Center Dive Shaft (93.5mm)	1	339021-93.5
210018	Throttle Rod Spring	1	SW-210018	339021-98	S35-GT2.2 FTE Series Steel Material Center Dive Shaft (98mm)	1	339021-98
210018	Brake Rod 60mm	3	SW-210018	339023	S35-GT2.2 FTE Series Sway Bar Adjust Stud 4	1	SW-339023
210091H	S35-4 Plastic Front/Rear Big Bore HET Diff Case (Hard)	2	SW-210091H	339026-AL	S35-GT2.2 FTE Series Tornado GT 4-Shoes Aluminum Clutch Bell	1	SW-339026-AL
210048-D90	S35-T/S35-GT Series Floating Fuel Filter System with 90 Degree Fuel Injectors Tank(150cc)	1	SW-210048-D90	339027	S35-GT2.2 FTE Series Tornado GT 4-Shoes Fly Wheel Center Nut with Spring Nut	1	SW-339027
200193	Antenna Tube	1	SW-200193	339028	S35-GT2.2 FTE Series Tornado GT 4-Shoes Fly Wheel with Cap and Insert	1	SW-339028
320010	S35-3W Diff. Bevel Gear 10T	8	SW-328001	339029-C	S35-GT2.2 FTE Nitro Series Tornado GT 4-Shoes Clutch Shoes Set(Carbon Material)	2	SW-339029-C
320009	S35-3W Diff. Bevel Gear 20T	4	SW-328001	339029-Y	S35-GT2.2 FTE Nitro Series Tornado GT 4-Shoes Clutch Shoes Set(Yellow Material)	2	SW-339029-Y
330015	Pin M2.2x9.9mm	4	SW-330015	339031	S35-GT2.2 FTE Series Tornado GT 4-Shoes Fly Wheel Spring	1	SW-339031
330100A	S350 Engine Mount (L) (HC)	1	SW-330100A	339032	SWORKz S35-GT2.2 FTE Series Shock End Extension Holder Pin-Screws	8	SW-339032
330100A	S350 Engine Mount (R) (HC)	1	SW-330100A	340026	S35-GT2/E Pro-composite Carbon Rear Wheel Hub Adjust Plate (R=L)	4	SW-340026
330104	Brake Cam (L)	2	SW-330104	340027-10	S35-GT2/E Pro-composite Carbon Front Upper Arm Cover (1mm)	2	SW-340027-10
330104	Brake Cam	2	SW-330104	349001	S35-GT2.2 FTE Series Pro-composite Carbon Shock Lower Lay-Down System (Front)	1	SW-349001
330115	Steering Knuckle Pivot Ball Turnbuckle	4	SW-330115	349002	S35-GT2.2 FTE Series Pro-composite Carbon Shock Lower Lay-Down System (Rear)	1	SW-349002
330116	14mm Knuckle Pivot Ball	4	SW-330116	349003	S35-GT2.2 FTE Series Pro-composite Carbon Front Bumper Support Plate	1	SW-349003
330114A	S350 Sseries Servo Saver Post (HC)	1	SW-330114A	349004	S35-GT2.2 FTE Series Pro-composite Carbon Diff Case Cover	1	SW-349004
330117A	S350 Series Knuckle Pivot Ball Washer(GM)	2	SW-330117A	349005	S35-GT2.2 FTE Series Pro-composite Carbon Steering Bellcrank Plate	1	SW-349005
330118A	S350 Series Knuckle Pivot Ball Nut(GM)	4	SW-330118A	349006	S35-GT2.2 FTE Series Pro-composite Carbon Front Lower Bumper Nut Holder	1	SW-349006
330119	Front Upper Arm HingPin	2	SW-330119	349011	S35-GT2.2 FTE Series Pro-composite Carbon Steering Knuckle Plate (R=L)	2	SW-349011
330122A	S350 Wheel Nut (HC)	4	SW-330122A	349012	S35-GT2.2 FTE Series Pro-composite Carbon Steering Bellcrank Plate A	1	SW-349012
330123A	S350 EVO Rear Upper Sus. Arm Turnbuckles M5x38mm	2	SW-330123A	349013	S35GT2.2 FTE Carbon Fiber Center Diff. Plate with Throttle Linkage Support Design	1	SW-349013
330124	Pin M3.0x16.8mm	4	SW-330124	349014	S35-GT2 series Lay Done Body Shell Rear Posts Plate	1	SW-349014
330126A	S350 EVO Steering Turnbuckle M4x40mm	2	SW-330126A	349015	S35-GT2 Series Pro-composite Carbon Center Diff. Mount Plate	1	SW-349015
330134	Shock Ball Stud	10	SW-330134	349016	S35-GT2.2 FTE Series Pro-composite Carbon Lower Arm Holder Spacer (3mm)	2	SW-349016
330140A	Pipe Holder(GM)	1	SW-330140A	420010	Antenna Cup	1	SW-420010
330155	Steering Servo Turnbuckle (M3x30mm)	2	SW-330155	410038	Super Silicone Tube 2455x30mm (Transparent)	1	SW-410038
330156A	Adjuster Knob(GM)	4	SW-330156A	400023	S35 Series BBS System Seal O-Ring for Emulsion Shock Cap	4	SW-400023
330157A	Brake Adjuster Knob(GM)	2	SW-330157A	400019	S350 New BBS System Shock Spring Adjust Nut O-Ring	4	SW-400019
330299	S104 Steering Linkage Ball Stud 5mm	2	SW-330299	400006	Shock Seal O-Ring	12	SW-210058
330557	S350 New BBS System Shock Spring Seal Cap (GM)	4	SW-330557	400005	Shock Spring Adjust Nut O-Ring	4	SW-400005
330560B	S35 New BBS System Shock Spring Adjust Nut (BK)	4	SW-330560B	400002	O-ring S5 4.8X1.5	4	SW-400002
330568	S350 Buggy Series Aluminum Center Diff. Mount	2	SW-330568	400024M	S35 Series BBS System Hex-Cell Shock Bladder(Medium)	4	SW-400024M
330580C	S35 Nitro Series Competition Soltted Brake Disc	2	SWC-330580C	510091	SWORKz Original Logo Sticker	1	SW-510091
330661A	S35-T/S35 Series Competition Center Drive Join (5mm set screw)	2	SW-330661A	610023P	S35-4 HET Diff. Paper Gasket (0.4T)(3PC)	2	SW-610023P
330664	SWORKz 1/10 5mm Ball Stud (L10mm)(4PC)	4	SW-330664	610021M	S35-3GT FOAM BUMPER (Medium)	1	SW-610021M
330782	S35-3 Series Rear Hub Carriers Hinge Pin	2	SW-330782	115011C	S35-GT2.2 Series Pipe Holder Spring (Ultra Long)	1	SW-115011C
330798	S35GT BBS System Shock Body (F/R)	4	SW-330798	115019	Body Clip	8	SW-115019
330779T-AL	S35-4/E EVO Steering Linkage Aluminum Ball Stud 7mm (L6 Thread Type)	6	SW-330779T-AL	115098	Brake Pad Spring	4	SW-115098
330802	S35GT 2nd Speed Shoes (Made in Italy)	1	SW-330802	115148A	S35GT/GT2 Black Competition Shock Spring (A2-Dot)(40x2.2x5.25)	2	SWC-115148A
330803	S35GT 1st Speed Bell Housing	1	SW-330803	115153A	S35GT/GT2 Black Competition Shock Spring (A3-Dot)(40x2.2x5.0)	2	SWC-115153A
330804A	S35GT/GT2 Series 2nd Speed Bell Housing Durable	1	SW-330804A	116004R	Ball Bearing 6x10x3mm (Red Rubber Case)	4	SW-116004R
330809	S35GT 2nd Speed Clutch Shoes Mount	1	SW-330809	116006C	SWORKz Competition 8x16x5mm Ball Bearing (Metal Case)	14	SWC-116006C
330810	S35GT 2nd Speed Clutch Shaft	1	SW-330810	116009	Ball Bearing M5x8x2.5 Z5 (4PC)	6	SW-116009
330811	S35GT Center Drive Join	2	SW-330811	116010C	SWORKz Competition 5x10x4mm Ball Bearing(Metal Case)(6PC)	2	SWC-116010C
330812	S35GT PIN2.5x10.8	1	SW-330812	116018	Ball Bearing 8x12x3.5mm	2	SW-116018
330832	S35GT PIN5x4.9	2	SW-330832	116019A	SWORKz Competition 5x13x4mm Ball Bearing (Metal Case)(4PC)	4	SWC-116019A
330833	S35GT 2nd Speed Spring Screw Holder	2	SW-330833	117003	Flange Ball Bearing 3x6x2.5mm	4	SW-117003
338001	S35-GT Crankshaft Extension Washer	1	SW-338001	119001-2.3	S35-GT2.2 LTD Series Front Sway Bar 2.3mm	1	SW-119001-2.3
338005	S35GT 2nd Clutch Bell Pinion Gear 24T	1	SW-338005	119001-2.4	S35-GT2.2 LTD Series Front Sway Bar 2.4mm	1	SW-119001-2.4
338006	S35GT 1st Clutch Bell Pinion Gear 19T	1	SW-338006	119001-2.5	S35-GT2.2 LTD Series Front Sway Bar 2.5mm	1	SW-119001-2.5
338011	S35 series Pinion Gear Stopper (5x7x5.1mm)	2	SW-338011	119001-2.6	S35-GT2.2 LTD Series Front Sway Bar 2.6mm	1	SW-119001-2.6
338031-B13	S35-4 Series Over Drive System Pinion Gear B13T (Fit for Crown B45T)	2	SW-338031-B13	119001-2.8	S35-GT2.2 LTD Series Front Sway Bar 2.8mm	1	SW-119001-2.8
338032-B45	S35-4 Series Over Drive Crown Gear B45T (Fit for Pinion B13T Gear)	2	SW-338032-B45	119001-3.0	S35-GT2.2 LTD Series Front Sway Bar 3.0mm	1	SW-119001-3.0

Spare Part List

Part No.	Part Name	Qty in Use	Item No.	Item No.	Part Name
119002-2.5	S35-GT2.2 LTD Rear Sway Bar 2.5mm	1	SW-119002-2.5	SW-200711H	S35GT Series 2nd Spur Gear 58T(Hard Material)(Made in Italy)
119002-2.6	S35-GT2.2 LTD Rear Sway Bar 2.6mm	1	SW-119002-2.6	SW-200713H	S35GT Series 1st Spur Gear 62T(Hard Material)(Made in Italy)
119002-2.7	S35-GT2.2 LTD Rear Sway Bar 2.7mm	1	SW-119002-2.7	SW-2501115	S350 Rear Lower Arm Dusty Cover with Fuel Sprinkle Guard
119002-2.8	S35-GT2.2 LTD Rear Sway Bar 2.8mm	1	SW-119002-2.8	SW-2501124	S350 Center Diff. Mount Set (2sets)
119002-3.0	S35-GT2.2 LTD Rear Sway Bar 3.0mm	1	SW-119002-3.0	SW-2501121C	S35/S350 Series Ball End Set with Shock Plastic Parts
101004	Washer 3.5X10X0.2mm	8	SW-101004	SW-2501667-6	S35-GT2.2 FTE Sway Bar Ball End (Long)(2PC)
101010A	M3 Countersunk Washer(GM)	4	SW-101010A	SW-2502040-02	S350T Body Mount with Fuel Tank Ring-pull
101011	M2.6x6xT0.6mm	4	SW-101011	SW-2503260	S353 Series Plastic Inserts Set
101012	M3x6xT0.6mm	2	SW-101012	SW-2503260-04	S35-3 Series Plastic Knuckle Inserts Set
101013	3mm Spring Washer	4	SW-101013	SW-2503262	S35-3 Nitro Buggy Radio Tray Set
101015	M5x8xT0.4mm	4	SW-101015	SW-2503264A	S35-3 Series Front Steering Knuckle (Type 2.0) L
101016	M5x8xT0.8mm	1	SW-101016	SW-2503270-2	S35-3 Series Rear Upper Arm Outside Ball Ends
101018	SHIM 13x16x0.2mm	10	SW-101018	SW-2503270-3	S35-3 Series Front Steering Ball Ends
101019	SHIM 6.0x10.0x0.2mm	1	SW-101019	SW-220015	SWORKz 1/8 S35GT/E Bumper Set
101020A	S350 Sries 3mm Countersunk Washers (GM)	2	SW-101020A	SW-220016	SWORKz 1/8 S35GT/E Wing Mount Set
101021	M3x8xT0.8mm	3	SW-101021	SW-220017	SWORKz 1/8 S35GT/E Plastic Body Post and Mount Set
101026	SWORKz Aluminum Washer 3X6X1.5mm2	2	SW-101026	SW-228001DG	S35-4 All Series Plastic Inserts Set (Durable)(Gray)(2 Sets)
101027	S350 BBD Steel Washer 5X14X0.5mm	2	SW-101027	SW-228005UH-F	S35-GT2 Series Front Lower Arm in Ultra-Hard Material(1PC)
101035	SHIM 8.0x12.0x0.2mm	2	SW-101035	SW-228015U	SWORKz S35-4 Series Arched-Bridge-System Rear Lower Arm Set (Ultra-Hard)(1PC)
101038	SHIM 7.0x12.0x1.0mm	1	SW-101038	SW-228006	S35 Series Shock End/Body Mount/Ball Ends Set
101039	Steel Washer 5x12x0.3mm	4	SW-101039	SW-228006-5	S35 Series Rear Upper Arm Linkage Ball End (S)
103001	M3 Nut Lock	18	SW-103001	SW-228009UH	S35-GT2 Front Upper Arm & Linkage Parts in Ultra Hard Material(2 Sets)
103003A	Flange M3 Nut Lock (GM)	4	SW-103003A	SW-228021	SWORKz 1/8 Steering and Throttle Servo Horn Set
103004	M2.5mm Nut Lock	8	SW-103004	SW-228016-1.2-8	SWORKz 1/8 BBS Precision Plastic Shock Piston(1.2X8Holes)(2PC)
103005	M4mm Nut Lock (BK)	2	SW-103005	SW-228016-1.3-8	SWORKz 1/8 BBS Precision Plastic Shock Piston(1.3X8Holes)(2PC)
104002	Set Screw M3x10	1	SW-104002	SW-228016-Seal	SWORKz 1/8 BBS Precision Plastic Shock Seal Part (4 Sets)
104004	M3x3mm Set Screw	19	SW-104004	SW-224007L3.5-6	SWORKz 1/10 Plastic Ball End XS (5.5mm)
104005	M3x4mm Set Screw	4	SW-104005	SWC-218007D	S35 Series Advance-CVD Drive Shaft Set 92.5mm(1 Sets)
104009	M3x16mm Set Screw	2	SW-104009	SWC-218007DS	S35-GT2.2 FTE Series Advance-CVD Drive Shaft Set 91mm(1 Sets)
104010	M5x4mm Set Screw (Flat Bottom)	8	SW-104010	SW-210018	Thrott Linkage Set
104011	M4x4mm Set Screw (Flat Bottom)	1	SW-104011	SW-210043	S350 Professional Matel Brake Calipers 2.0 Set
105001	M3x8mm Cap Screw	1	SW-105001	SW-210091H	S35-4 Plastic Front/Rear Big Bore HET Diff Case (Hard)
105005	M3x12mm Cap Screw	4	SW-105005	SW-210048-D90	S35-T/S35-GT Series Floating Fuel Filter System with 90 Degree Fuel Injectors Tank(150cc)
105018	M2x6mm Cap Head Screw	1	SW-105018	SW-200193	Antenna Tube
105007A	M4x8mm I-Head Screw Thin	4	SW-105007A	SW-328001	S35-3/4 Series HET Diff. Bevel Gear Set
105006A	M3x28mm Cap Screw full thread	4	SW-105006A	SW-330015	Pin M2.2x9.9mm
106001	M3x8mm Hex Soket OH/TP Screw	21	SW-106001	SW-330100A	S350 Sseries Engine Mount Set (HC)
106002	M3x10mm Hex Soket OH/TP Screw	31	SW-106002	SW-330104	Brake Cam Set
106003	M3x16mm Hex Soket OH/TP Screw	8	SW-106003	SW-330115	Steering Knuckle Pivot Ball Turnbuckle (4PC)
106005	M3x15mm Hex Soket OH/TP Screw	4	SW-106005	SW-330116	14mm Knuckle Pivot Ball (4PC)
106006	M3x20mm Hex Soket OH/TP Screw	3	SW-106006	SW-330114A	S350 Sseries Servo Saver Post (HC)
106007	M3x12mm Hex Soket OH/TP Screw(HT)	8	SW-106007	SW-330117A	S350 Series Knuckle Pivot Ball Washer (GM)
106008	M3x12mm Hex Soket OH/TP Screw	8	SW-106008	SW-330118A	S350 Series Knuckle Pivot Ball Nut (GM)
106009	M3x25mm Hex Soket OH/TP Screw	10	SW-106009	SW-330119	Front Upper Arm Hinge Pin
106010	M3x6mm Hex Soket OH/TP Screw	21	SW-106010	SW-330122A	S350 Wheel Nut (HC)
106013	M2.5x8mm 1.5mmHex Soket OH/ST Screw	5	SW-106013	SW-330123A	S350 EVO Rear Upper Sus. Arm Turnbuckles M5x38mm
106015	M3x5mm Hex Soket OH/TP Screw	2	SW-106015	SW-330124	Pin M3.0x16.8mm
106017	M3x14mm Hex Soket OH/TP Screw	2	SW-106017	SW-330126A	S350 EVO Steering Turnbuckle M4x40mm
106020	M2.5x5mm 1.5mmHex Soket OH/ST Screw	16	SW-106020	SW-330134	Shock Ball Stud 6mmxL6.7
106021	M4x10mm Hex Socket OH/TP Set Screw (8PC)	2	SW-106021	SW-330140A	S350 SeriesPipe Holder (GM)
106021A	S35 Series M4x10mm Hex Soket OH/TP Set Screw	4	SW-106021A	SW-330155	Steering Servo Turnbuckle (M3x30mm)
106022	M2.5x14mm Soket OH/ST Screw (1.5mmHex)	9	SW-106022	SW-330156A	S350 Series Adjuster Knob (Included Brake Adjuster Knob)(GM)
108001	M3x12mm FH/ST HEX Screw	10	SW-108001	SW-330157A	Brake Adjuster Knob (GM)
108003	M3x10mm FH/ST HEX Screw	22	SW-108003	SW-330299	S104 Steering Linkage Ball Stud 5mm (4pc)
108005	M3x14mm FH/ST HEX Screw	2	SW-108005	SW-330557	S350 New BBS System Shock Seal Cap (GM)
108006	M3x8mm FH/ST HEX Screw	22	SW-108006	SW-330560B	S35 New BBS System Shock Spring Adjust Nut (BK)
108007	M3x6mm FH/ST HEX Screw	10	SW-108007	SW-330568	S350 Buggy Series Aluminum Center Diff. Mount
108008	M3x35mm FH/ST HEX Screw	4	SW-108008	SWC-330580C	S35 Nitro Series Competition Solttd Brake Disc
108010	M4x10mm FH/ST HEX Screw	21	SW-108010	SW-330661A	S35-T/S35 Series Competition Center Drive Join (5mm set screw)
108011	M4x12mm FH/ST HEX Screw	6	SW-108011	SW-330664	SWORKz 1/10 5mm Ball Stud (L10mm)(4PC)
108012	M4x16mm FH/ST HEX Screw	8	SW-108012	SW-330782	S35-3 Series Rear Hub Carriers Hinge Pin
108013	M4x8mm FH/ST HEX Screw	1	SW-108013	SW-330798	S35GT BBS System Shock Body (F/R)
108026	M3x5mm FH/ST HEX Screw	12	SW-108026	SW-330779T-AL	S35-4/e EVO Steering Linkage Aluminum Ball Stud 7mm (L6 Thread Type)(4PC)
108029	M2.0x4.6mm FH/ST HEX Screw (1.5mm HexHead)	4	SW-108029	SW-330802	S35GT 2nd Speed Shoes (Made in Italy)
				SW-330803	S35GT 1st Speed Bell Housing
				SW-330804A	S35GT/GT2 Series 2nd Speed Bell Housing Durable
				SW-330809	S35GT 2nd Speed Clutch Shoes Mount
				SW-330810	S35GT 2nd Speed Clutch Shaft
				SW-330811	S35GT Center Drive Join
				SW-330812	S35GT PIN 2.5x10.8
				SW-330832	S35GT PIN 5x4.9
				SW-330833	S35GT 2nd Speed Spring Screw Holder
				SW-338001	S35-GT Crankshaft Extension Washer
				SW-338005	S35GT 2nd Clutch Bell Pinion Gear 24T
				SW-338006	S35GT 1st Clutch Bell Pinion Gear 19T
				SW-338011	S35-3 series Pinion Gear Stopper (5x7x5.1mm)(4pc)
				SW-338031-B13	S35-4 Series Over Drive System Pinion Gear B13T (Fit for Crown B45T)
				SW-338032-B45	S35-4 Series Over Drive Crown Gear B45T (Fit for Pinion B13T Gear)
				SW-338025	S35-4 HET Bevel Gear Shaft (2pc)
				SW-338027	S35-4 Front/Rear HET Diff. Outdrive (2pc)
				SW-338034	S35-3 Series Lightened Aluminum Front Chassis Shorty Brace
				SW-338056	S35-4 Series Lower Arm Hinge Pin (68.5mm)(2pc)
				SW-338067	S35-4 Series Emulsion/Bladder 2 Ways Syatem Shock Cap (2pc)
				SW-338068	S35-4 Series T7 Aluminum Shock Stud (L)(2pc)
				SW-338070A	S35 Series Rear Upper Arm Aluminum Ball Stud(2PC)
				SW-338075	S35-4 Series T7 Aluminum Rear Wheel Hub (R=L)

Spare Part List

Item No.	Part Name	Item No.	Part Name
SW-338080	S35/S350 Series Lightened Wheel Hub for 8mm Axil (L5.5mm)	SW-101016	M5x8xT0.8mm
SW-338099	S35GT/GT2 Series Teflon Coated Durable Shock Shaft (45.5mm)(2PC)	SW-101018	SHIM 13x16x0.2mm
SW-338101	S35-GT2 Series Aluminum Rear Upper Arm Linkage Holder (2PC)	SW-101019	SHIM 6.0x10.0x0.2mm
SW-339001	S35-GT2 Aluminum Shock End Extension Holder (GM)(2PC)	SW-101020A	S350 Sries 3mm Countersunk Washers (GM)
SW-339003RLL	S35-GT2.2 FTE Aluminum Rear Diff Case (R/L)	SW-101021	M3x8xT0.8mm
SW-339003RRR	S35-GT2.2 FTE Aluminum Rear Diff Case (R/R)	SW-101026	SWORKz Aluminum Washer 3X6X1.5mm
SW-339004A	S35-GT2.2 FTE Aluminum Front & Rear Diff Case Holder (A)(F&R)	SW-101027	S350 BBD Steel Washer 5X14X0.5mm
SW-339004B	S35-GT2.2 FTE Aluminum Front & Rear Diff Case Holder (A)(F&R)	SW-101035	SHIM 8.0x12.0x0.2mm
SW-339005	S35-GT2.2 FTE Nitro Series Aluminum Lightened Main Chassis	SW-101038	SHIM 7.0x12.0x1.0mm
SW-339006	S35-GT2.2 FTE Series Aluminum Diff. Case Insert (L/H)	SW-101039	SWORKz HET Diff Steel Washer 5x12x0.3mm (10PC)
SW-339007FL	S35-GT2.2 FTE Series Aluminum Front Diff Case (F/L)	SW-103001	M3 Nut Lock
SW-339007FR	S35-GT2.2 FTE Series Aluminum Front Diff Case (F/R)	SW-103003A	Flange M3 Nut Lock (GM)
SW-339008	S35-GT2.2 FTE Series Sway Bar Holder (2PC)	SW-103004	M2.5mm Nut Lock
SW-339009	S35-GT2.2 FTE Series Pinion Gear Holder (L/H)	SW-103005	M4mm Nut Lock (BK)
SW-339010	S35-GT2.2 FTE Series Aluminum Front Lower Arm Plate (FF)	SW-104002	Set Screw M3x10
SW-339011	S35-GT2.2 FTE Series Aluminum Front Lower Suspension Holder (FR)	SW-104004	M3x3mm Set Screw
SW-339012	S35-GT2.2 FTE Series Aluminum Rear Lower Arm Plate (RF)	SW-104005	M3x4mm Set Screw
SW-339013	S35-GT2.2 FTE Series Aluminum Rear Lower Suspension Holder (RR)	SW-104009	M3x16mm Set Screw (10pc)
SW-339014	S35-GT2.2 FTE Series Aluminum Front Upper Arm Suspension Holder (UFR)	SW-104010	M5x4mm Set Screw (Flat Bottom)
SW-339015	S35-GT2.2 FTE Series Aluminum Steering Plate	SW-104011	M4x4mm Set Screw (Flat Bottom)
SW-339016L	S35-GT2.2 FTE Series Aluminum Steering Bellcrank Shaft Part-L	SW-105001	M3x8mm Cap Screw
SW-339016R	S35-GT2.2 FTE Series Aluminum Steering Bellcrank Shaft Part-R	SW-105005	M3x12mm Cap Screw
SW-339017	S35-GT2.2 FTE Series Aluminum Rear Chassis Brace Mount	SW-105018	M2x6mm Cap Head Screw
SW-339018	S35-GT2.2 FTE Series Aluminum Rear Chassis Brace	SW-105006A	M3x28mm Cap Screw full thread
SW-339020	S35-GT2.2 FTE Series Servo Saver Shaft (2PC)	SW-105007A	M4x8mm I-Head Screw Thin
SW-339021-93.5	S35-GT2.2 FTE Series Steel Material Center Dive Shaft (93.5mm)	SW-106001	M3x8mm Hex Soket OH/TP Screw
SW339021-98	S35-GT2.2 FTE Series Steel Material Center Dive Shaft (98mm)	SW-106002	M3x10mm Hex Soket OH/TP Screw
SW-339023	S35-GT2.2 FTE Series Sway Bar Adjust Stud (2PC)	SW-106003	M3x16mm Hex Soket OH/TP Screw
SW-339026-AL	S35-GT2.2 FTE Series Tornado GT 4-Shoes Aluminum Clutch Bell	SW-106005	M3x15mm Hex Soket OH/TP Screw
SW-339027	S35-GT2.2 FTE Series Tornado GT 4-Shoes Fly Wheel Center Nut with Spring Nut	SW-106006	M3x20mm Hex Soket OH/TP Screw
SW-339028	S35-GT2.2 FTE Series Tornado GT 4-Shoes Fly Wheel with Cap and Insert	SW-106007	M3x12mm Hex Soket OH/TP Screw (HT)
SW-339029-C	S35-GT2.2 FTE Nitro Series Tornado GT 4-Shoes Clutch Shoes Set(Carbon Material)(2PC)	SW-106008	M3x12mm Hex Soket OH/TP Screw
SW-339029-Y	S35-GT2.2 FTE Nitro Series Tornado GT 4-Shoes Clutch Shoes Set(Yellow Material)(2PC)	SW-106009	M3x25mm Hex Soket OH/TP Screw
SW-339031	S35-GT2.2 FTE Series Tornado GT 4-Shoes Fly Wheel Spring	SW-106010	M3x6mm Hex Soket OH/TP Screw
SW-339032	SWORKz S35-GT2.2 FTE Series Shock End Extension Holder Pin-Screws (4PC)	SW-106011	M3x4mm Hex Socket OH/TP Screw (10pc)
SW-340026	S35-GT2/E Pro-composite Carbon Rear Wheel Hub Adjust Plate (R=L)(2PC)	SW-106013	M2.5x8mm 1.5mmHex Soket OH/ST Screw
SW-340027-10	S35-GT2/E Pro-composite Carbon Front Upper Arm Cover (1mm)(2pc)	SW-106015	M3x5mm Hex Soket OH/TP Screw
SW-349001	S35-GT2.2 FTE Series Pro-composite Carbon Shock Lower Lay-Down System (Front)	SW-106017	M3x14mm Hex Soket OH/TP Screw
SW-349002	S35-GT2.2 FTE Series Pro-composite Carbon Shock Lower Lay-Down System (Rear)	SW-106020	M2.5x5mm 1.5mmHex Soket OH/ST Screw
SW-349003	S35-GT2.2 FTE Series Pro-composite Carbon Front Bumper Support Plate	SW-106021A	S35 Series M4x10mm Hex Soket OH/TP Set Screw
SW-349004	S35-GT2.2 FTE Series Pro-composite Carbon Diff Case Cover	SW-106022	M2.5x14mm Soket OH/ST Screw (1.5mmHex)
SW-349005	S35-GT2.2 FTE Series Pro-composite Carbon Steering Bellcrank Plate	SW-108001	M3x12mm FH/ST HEX Screw
SW-349006	S35-GT2.2 FTE Series Pro-composite Carbon Front Lower Bumper Nut Holder	SW-108003	M3x10mm FH/ST HEX Screw
SW-349011	S35-GT2.2 FTE Series Pro-composite Carbon Steering Knuckle Plate (R=L)	SW-108005	M3x14mm FH/ST HEX Screw
SW-349012	S35-GT2.2 FTE Series Pro-composite Carbon Steering Bellcrank Plate A	SW-108006	M3x8mm FH/ST HEX Screw
SW-349013	S35GT2.2 FTE Carbon Filber Center Diff. Plate with Throttle Linkage Support Design	SW-108007	M3x6mm FH/ST HEX Screw
SW-349014	S35-GT2 series Lay Done Body Shell Rear Posts Plate	SW-108008	M3x35mm FH/ST HEX Screw
SW-349015	S35-GT2 Series Pro-composite Carbon Center Diff. Mount Plate	SW-108010	M4x10mm FH/ST HEX Screw
SW-349016	S35-GT2FTE Series Pro-composite Carbon Lower Arm Holder Spacer (3mm)	SW-108011	M4x12mm FH/ST HEX Screw
SW-410038	Super Silicone Tube 2455x1 M (Transparent)	SW-108012	M4x16mm FH/ST HEX Screw
SW-400019	S350 New BBS System Shock Spring Adjust Nut O-Ring	SW-108013	M4x8mm FH/ST HEX Screw
SW-400005	Shock Spring Adjust Nut O-Ring	SW-108026	M3x5mm FH/ST HEX Screw
SW-400002	O-ring S5 4.8X1.5	SW-108029	M2.0x4.6mm FH/ST HEX Screw (1.5mm HexHead)
SW-400024M	S35 Series BBS System Hex-Cell Shock Bladder(Medium)(4PC)		
SW-510091	SWORKz Original Logo Sticker (2PC)		
SW-610023P	S35-4 HET Diff. Paper Gasket (0.4T)(3PC)		
SW-610021M	S35-3GT FOAM BUMPER (Medium)		
SW-115011C	S35-GT2.2 Series Pipe Holder Spring (Ultra Long)		
SW-115019	1/8 Body Clip(10pc)		
SW-115098	Brake Pad Spring		
SWC-115148A	S35GT/GT2 Black Competition Shock Spring (A2-Dot)(40x2.2x5.25)		
SWC-115153A	S35GT/GT2 Black Competition Shock Spring (A3-Dot)(40x2.2x5.0)		
SW-116004R	Ball Bearing 6x10x3mm (Red Rubber Case)(4pc)		
SWC-116006C	SWORKz Competition 8x16x5mm Ball Bearing (Metal Case)(6PC)		
SW-116009	Ball Bearing M5x8x2.5 ZZ (4pc)		
SWC-116010C	SWORKz Competition 5x10x4mm Ball Bearing(Metal Case)(6PC)		
SW-116018	Ball Bearing 8x12x3.5mm (2pc)		
SWC-116019A	SWORKz Competition 5x13x4mm Ball Bearing (Metal Case)(4PC)		
SW-117003	Flange Ball Bearing 3x6x2.5mm(2pc)		
SW-119001-2.3	S35-GT2.2 LTD Series Front Sway Bar 2.3mm		
SW-119001-2.4	S35-GT2.2 LTD Series Front Sway Bar 2.4mm		
SW-119001-2.5	S35-GT2.2 LTD Series Front Sway Bar 2.5mm		
SW-119001-2.6	S35-GT2.2 LTD Series Front Sway Bar 2.6mm		
SW-119001-2.8	S35-GT2.2 LTD Series Front Sway Bar 2.8mm		
SW-119001-3.0	S35-GT2.2 LTD Series Front Sway Bar 3.0mm		
SW-119002-2.5	S35-GT2.2 LTD Rear Sway Bar 2.5mm		
SW-119002-2.6	S35-GT2.2 LTD Rear Sway Bar 2.6mm		
SW-119002-2.7	S35-GT2.2 LTD Rear Sway Bar 2.7mm		
SW-119002-2.8	S35-GT2.2 LTD Rear Sway Bar 2.8mm		
SW-119002-3.0	S35-GT2.2 LTD Rear Sway Bar 3.0mm		
SW-101004	Washer 3.5X10X0.2mm		
SW-101010A	M3 Countersunk Washer(GM)		
SW-101011	M2.6x6xT0.6mm		
SW-101012	M3x6xT0.6mm		
SW-101013	3mm Spring Washer		
SW-101015	M5x8xT0.4mm		

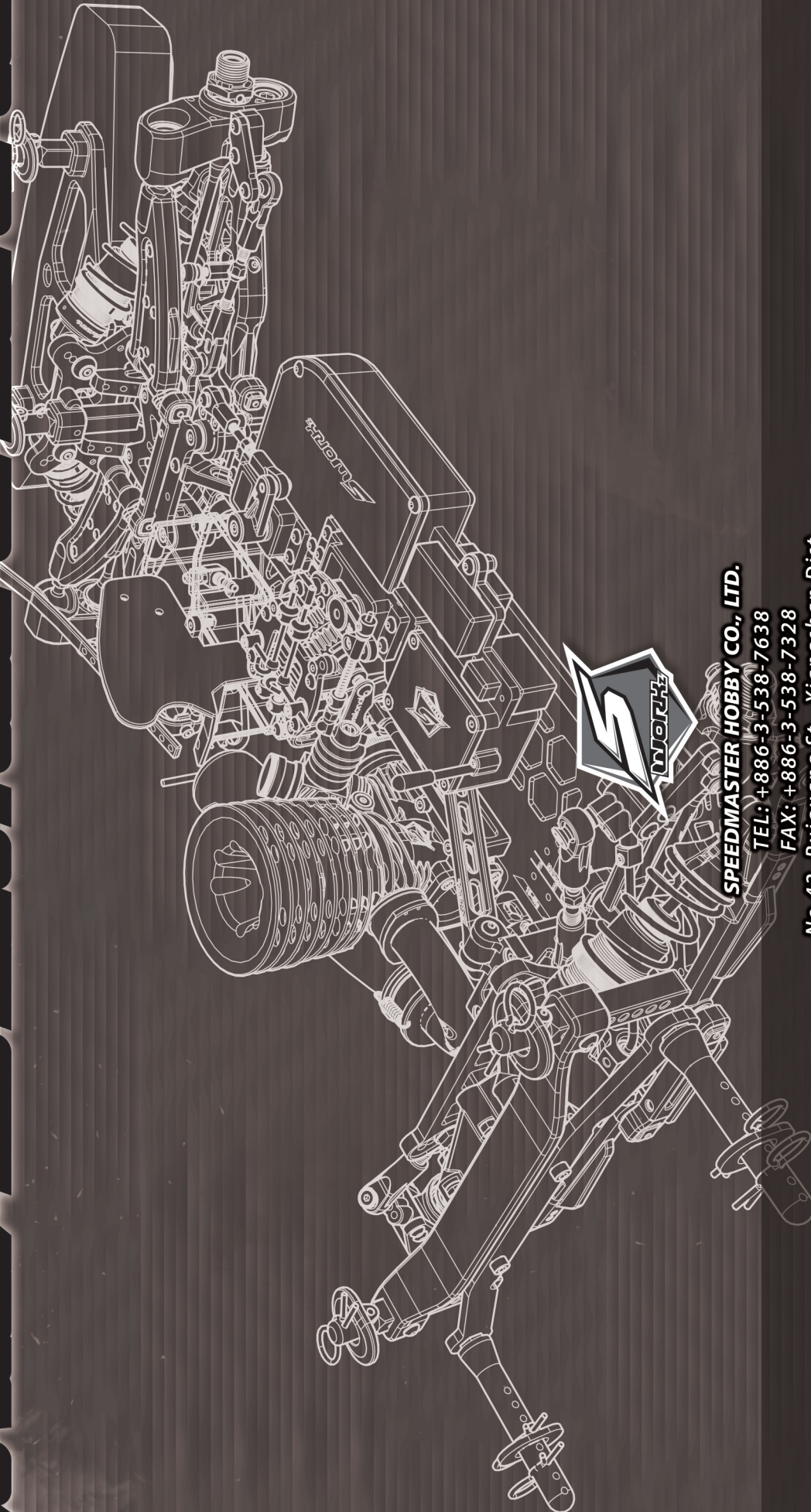
Option Part List

Item No.	Part Name
SWC-115152A	S35GT/GT2 Black Competition Shock Spring (A1-Dot)(40x2.2x5.5)
SWC-115154A	S35GT/GT2 Black Competition Shock Spring (A4-Dot)(40x2.2x4.75)
SW-116010B	High Performance Ball Bearing 5x10x4mm(coffee)(4pc)
SWC-116006B	SWORKz Competition 8x16x5mm Ball Bearing (Metal Case/Japan)(4PC)
SWC-116019B	SWORKz Competition 5x13x4mm Ball Bearing (Metal Case/Japan)(4PC)
SW-200708H	S35GT Series 1st Spur Gear 61T (Hard Material)(Made in Italy)
SW-200709H	S35GT Series 2nd Spur Gear 57T (Hard Material)(Made in Italy)
SWC-210088	S35-3 Nitro Series Pro-composite Carbon One Unit Radio Tray Set
SW-218019A	S35-GT2 series BBS Shock System Kit
SW-330125A	S350 Series Aluminum Rear Upper Sus. Arm Ball Stud(4pc)
SW-330134A	S350 Series Aluminum Shock Ball Stud (4pc)
SW-330136A	S350 Series Aluminum Sway Bar Ball Stud (4pc)
SW-330168A	S35-3 Series Rear Chassis Blance wight 15g (2pc)
SW-330398A	SWORKz S350 Series Pro Wheel Nut (GM)
SW-330420	S350 Series Knuckle Pivot Ball Balance Nut (5.5g)(2pc)
SW-330505A	S35 Series Lightened Wheel Hub for 8mm Axil (L6.5mm)
SW-330506A	S35 Series Lightened Wheel Hub for 8mm Axil (L5.0mm)
SW-330795	S35-3 T-7075 Aluminum Rear Lower Fully Adjustable Toe-In Block (Type B)
SW-330777B	S35-4 Series Aluminum Steering Linkage Ball Stud 7mm(L7)(4PC)
SW-338003	S35GT 1st Clutch Bell Pinion Gear 18T
SW-338005	S35GT 2nd Clutch Bell Pinion Gear 23T
SW-338036	SWORKz 1/8 Nitro Series Pipe Spring Lock (1 set)
SW-338078-25	SWORKz Uni-Design 2-Way System Aluminum Steering Servo Horn 25T
SW-338078-23	SWORKz Uni-Design 2-Way System Aluminum Steering Servo Horn 23T
SW-338079-25	SWORKz Uni-Design Aluminum Throttle Servo Horn 25T
SW-338079-23	SWORKz Uni-Design Aluminum Throttle Servo Horn 23T
SW-340027-15	S35-GT2/E Pro-composite Carbon Front Upper Arm Cover (1.5mm)(2PC)
SW-340022-10	S35-4/E Series Pro-composite Carbon Front Lower Arm Cover (1mm)(2PC)
SW-340022-15	S35-4/E Series Pro-composite Carbon Front Lower Arm Cover (1.5mm)(2PC)
SW-340022-20	S35-4/E Series Pro-composite Carbon Front Lower Arm Cover (2mm)(2PC)
SW-348003-10	SWORKz S35-4 Series Pro-composite Carbon Arched-Bridge-System Rear Lower Arm Cover(1.0mm)(2PC)
SW-348003-15	SWORKz S35-4 Series Pro-composite Carbon Arched-Bridge-System Rear Lower Arm Cover(1.5mm)(2PC)
SW-348003-20	SWORKz S35-4 Series Pro-composite Carbon Arched-Bridge-System Rear Lower Arm Cover(2.0mm)(2PC)
SW-400022A-M	S35 Series BBS System Pro Shock Bladder (Medium)(8PC)
SW-400024M	S35 Series BBS System Hex-Cell Shock Bladder (Medium)(4PC)
SWC-218007A	S35 Series Evolution-CVA Drive Shaft Set 92.5mm (1 Sets)
SWC-218020-6LD	S35 Series 1-Unit-Fit Aluminum Engine Mount Set (6 Degree Lay-Down)
SWC-218020-4LD	S35 Series 1-Unit-Fit Aluminum Engine Mount Set (4 Degree Lay-Down)
SWC-330798E	S35GT BBS System ENP Shock Body (F/R)
SWC-338071	S35 Series Advance-CVD Drive Axil (1PC)
SWC-338072	S35 Series Advance-CVD Drive Shaft (92.5mm)(1PC)
SWC-338073	S35 Series Evolution-CVA Drive Axil (1PC)
SWC-338074	S35 Series Evolution-CVA Drive Shaft (92.5mm)(1PC)
SWC-338076	S35 Series E-CVA/A-CVD Pin M2.5x14 (2PC)
SWC-338077	S35-4 Series E-CVA/A-CVD Axil Join (2PC)
SWC-228012	1/8 E-CVD/A-CVA Axil Holder (4PC)
SW-338093	S35-GT2 Series Aluminum Hard Coated Big Bore HET Diff Case for Front/Rear
SW-339005WC	S35-GT2.2 FTE World Edition Nitro Series Aluminum Lightened Main Chassis
SWC-338095	S35 Series 1-Unit-Fit Aluminum Engine Mount (6 Degree Lay-Down)
SWC-338096	S35 Series 1-Unit-Fit Aluminum Engine Mount (Upper)(2PC)
SWC-338097	S35 Series 1-Unit-Fit Aluminum Engine Mount (4 Degree Lay-Down)
SWC-218022-N	SWORKz S35-4/T2/GT2 Nitro Competition Ball Bearing Kit (Metal Case)(20PC)
SWC-338102	S35 Series Pro-Titanium Pivot Ball Turnbuckle (2PC)
SWC-338103	SWORKz 1/8 Series Pro-Titanium Linkage Turnbuckle (M5x35mm)(2PC)
SWC-338104	SWORKz 1/8 Series Pro-Titanium Linkage Turnbuckle (M4x40mm)(2PC)
SWC-338105	SWORKz Pro-Titanium Linkage Turnbuckle (M3x30mm)(2PC)
SWC-119004-1	S35GT Black Competition Linear Shock Spring (L1-Dot)(40X2.2X7.5)(2PC)
SWC-119004-2	S35GT Black Competition Linear Shock Spring (L2-Dot)(40X2.2X7.25)(2PC)
SWC-119004-3	S35GT Black Competition Linear Shock Spring (L3-Dot)(40X2.2X7.0)(2PC)

S35-GT2Z.F1E

Factory Team Edition

1/8 Scale 4WD Nitro Power On-Road GT Car



SPEEDMASTER HOBBY CO., LTD.

TEL: +886-3-538-7638

FAX: +886-3-538-7328

No.42, Ruiguang St., Xiangshan Dist.,
Hsinchu City 300, Taiwan (R.O.C.)

www.sworkz.com